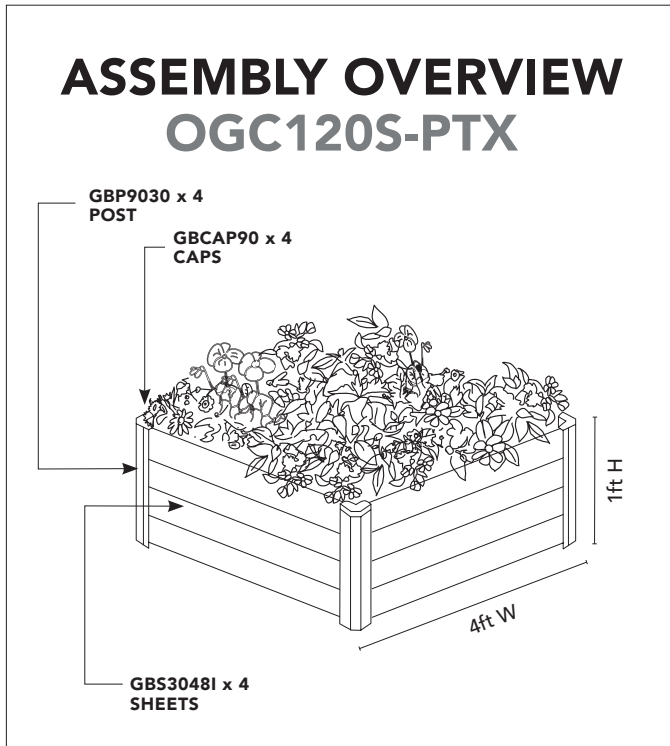


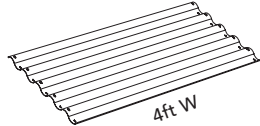
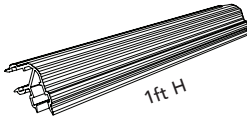
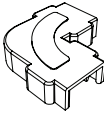


Farm fresh food at home

4ft x 4ft Square Raised Garden Bed



PACKING LIST:

| SHEETING | | | |
|--|----------|-----|-------|
| PART NUMBER | | QTY | CHECK |
|  4ft W | GBS3048I | 4 | |
| POSTS & CAPS | | | |
|  1ft H | GBP9030 | 4 | |
|  | GBCAP90 | 4 | |

FIRST STEPS

Using safety gloves, unpack your carton. Check off the parts using the packing list. When assembling, most parts should slide together with minimal effort. Use a rubber mallet to gently tap components into position. Any questions? Call us on 0866 788 3046.

IMPORTANT

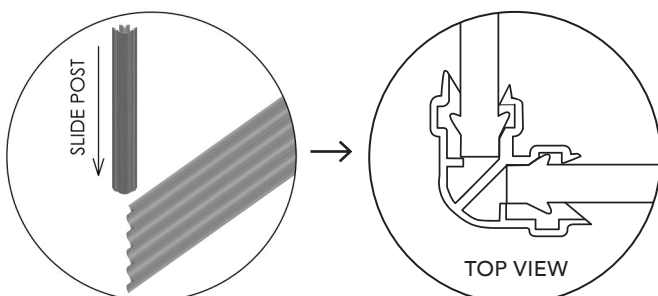
It is advised that you install your garden bed on a flat/even surface to avoid leakages and maintain an even weight distribution.

Incorrect installation will void the warranty.



1 SLIDE POSTS ONTO SHEETS

Organic Garden Co garden beds use the SNAPTITE Assembly System. Ensure that the lugs in the steel sheet click into the posts correctly, see below diagram.



2 SAFETY CAPS

Clip on the safety caps to each post. Use a mallet to tap into place if necessary.

