

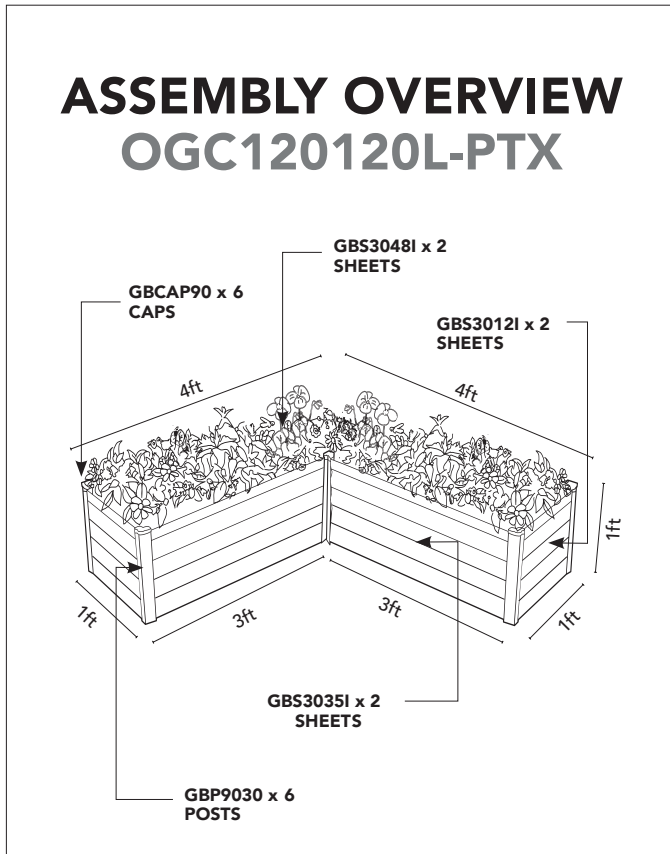


Farm fresh food at home

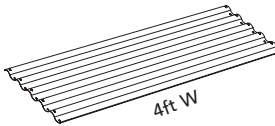
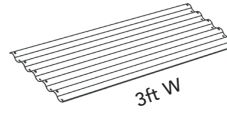
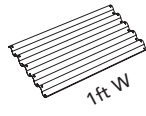
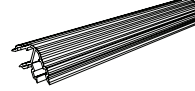
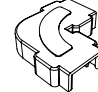
4ft x 4ft x 1ft L-Shape Raised Garden Bed



Ten year warranty



PACKING LIST:

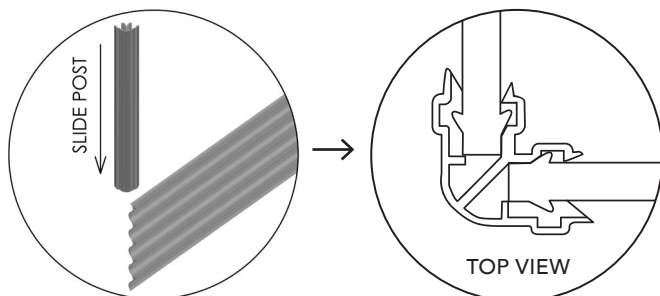
SHEETING			
PART NUMBER		QTY	CHECK
 4ft W	GBS3048I	2	
 3ft W	GBS3035I	2	
 1ft W	GBS3012I	2	
POSTS & CAPS			
	GBP9030	6	
	GBCAP90	6	

FIRST STEPS

Using safety gloves, unpack your carton. Check off the parts using the packing list. When assembling, most parts should slide together with minimal effort. Use a rubber mallet to gently tap components into position. Any questions? Call us on 0866 788 3046.

1 SLIDE POSTS ONTO SHEETS

Organic Garden Co garden beds use the SNAPTITE Assembly System. Ensure that the lugs in the steel sheet click into the posts correctly, see below diagram.



IMPORTANT

It is advised that you install your garden bed on a flat/even surface to avoid leakages and maintain an even weight distribution.

Incorrect installation will void the warranty.

2 SAFETY CAPS

Clip on the safety caps to each post. Use a mallet to tap into place if necessary.

