

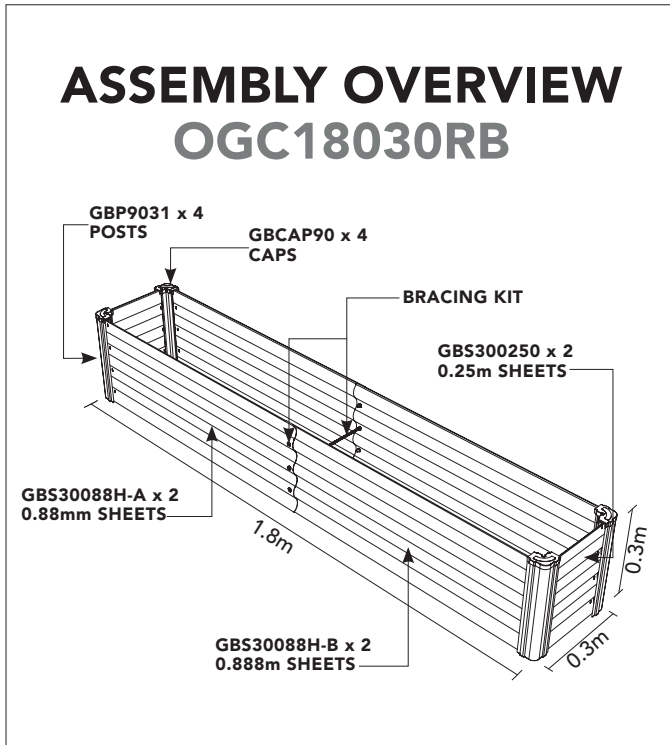


Farm fresh food at home

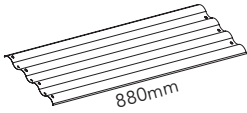
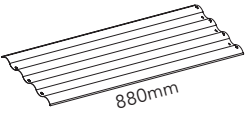
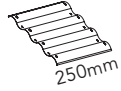
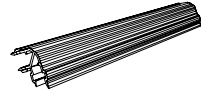
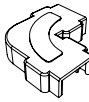
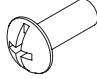


1.8m x 0.3m x 0.3m Rectangle Raised Garden Bed



Five year warranty



PACKING LIST:

SHEETING			
PART NUMBER		QTY	CHECK
 880mm	GBS30088H-A	2	
 880mm	GBS30088H-B	2	
 250mm	GBS300255	2	
POSTS & CAPS			
	H90-310	4	
	H90CAP	4	
BRACING KIT			
	BOLT01	4	
	FAST055	8	
	FAST062	1	

FIRST STEPS

Using safety gloves, unpack your carton. Check off the parts using the packing list. When assembling, most parts should slide together with minimal effort. Use a rubber mallet to gently tap components into position. Any questions? Call us on 1800 029 701.

IMPORTANT

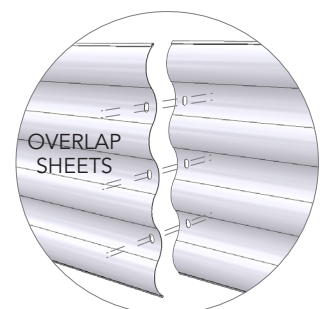
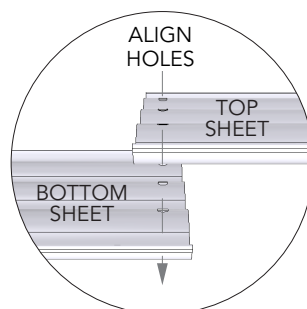
It is advised that you install your garden bed on a flat/even surface to avoid leakages and maintain an even weight distribution.

Incorrect installation will void the warranty.



1 OVERLAP SHEET

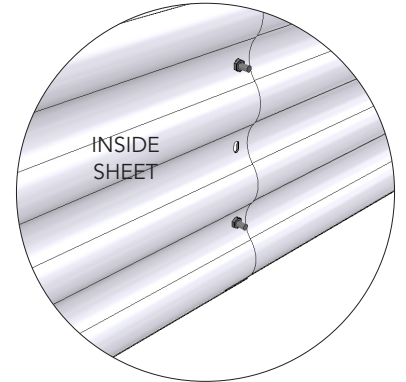
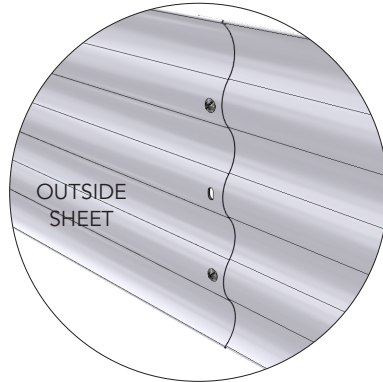
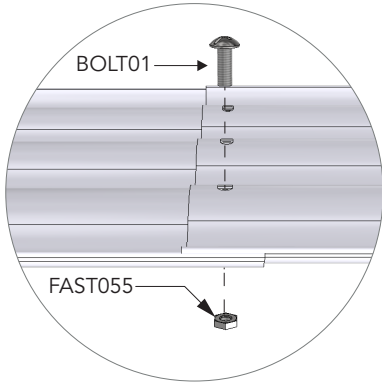
Overlap both sheets neatly, as shown. Ensure top sheet sits over the bottom sheet and each holes align.



2 BRACING KIT

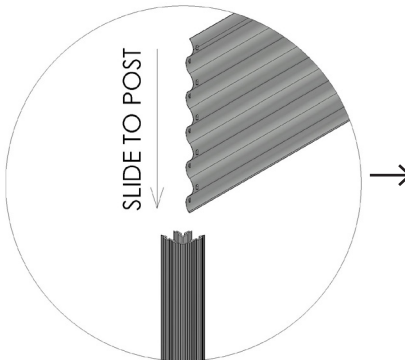
Secure the two overlapping sheet using the two BOLT01 & FAST055, top and bottom holes only.

Perform the same step for the other overlapping sheet.



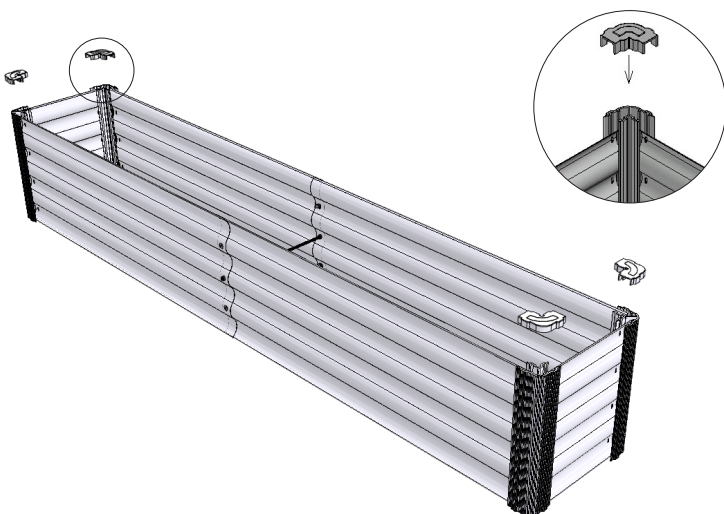
3 SLIDE SHEETS INTO POSTS

Organic Garden Co garden beds use the SNAPTITE Assembly System. Ensure that the lugs in the steel sheet click into the posts correctly, see below diagram.



4 SAFETY CAPS

Clip on the safety caps to each post. Use a mallet to tap into place if necessary. Attach bracing kit to the sheets as per step 5 instructions.



5 BRACING KIT

Secure the rod to the garden bed sheets using the 4x FAST055 nuts.

