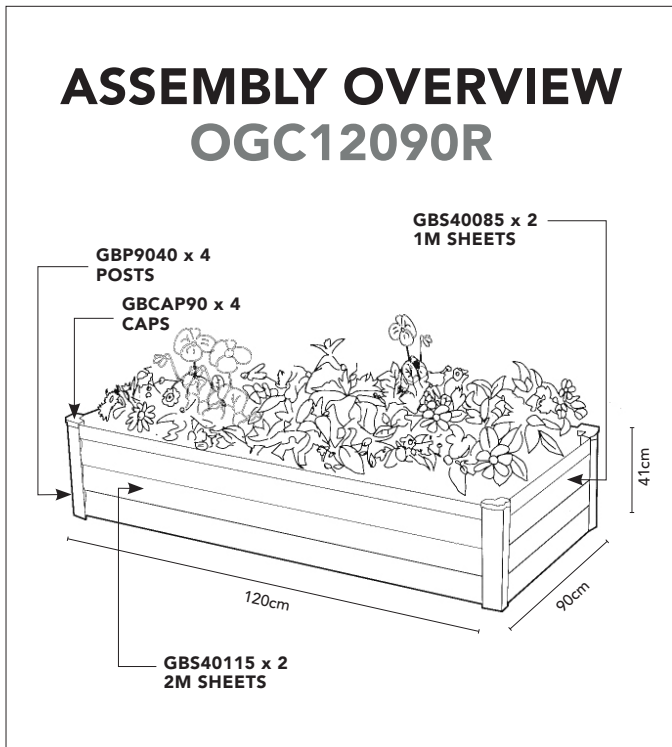


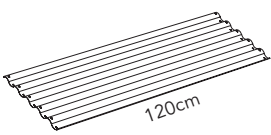
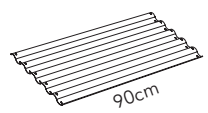
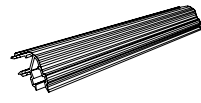
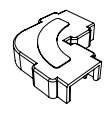


Farm fresh food at home

Rectangle Raised Garden Bed



PACKING LIST:

SHEETING			
PART NUMBER		QTY	CHECK
 120cm	GBS40115	2	
 90cm	GBS40085	2	
POSTS & CAPS			
	GBP9040	4	
	GBCAP90	4	

FIRST STEPS

Using safety gloves, unpack your carton. Check off the parts using the packing list. When assembling, most parts should slide together with minimal effort. Use a rubber mallet to gently tap components into position. Any questions? Call us on 1300 109 562.

IMPORTANT

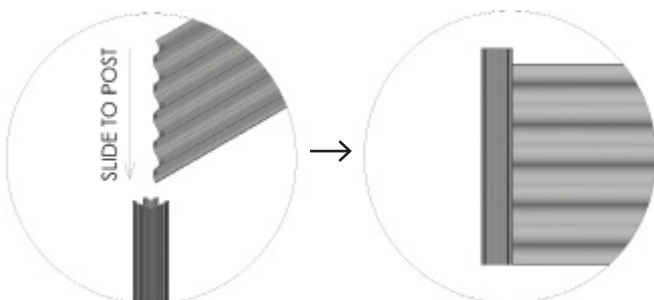
It is advised that you install your garden bed on a flat/even surface to avoid leakages and maintain an even weight distribution.

Incorrect installation will void the warranty.



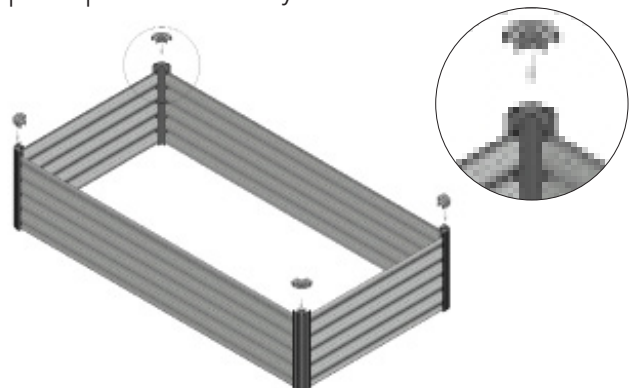
1 SLIDE SHEETS INTO POSTS

Organic Garden Co garden beds use the SNAPTITE Assembly System. Ensure that the lugs in the steel sheet click into the posts correctly, see below diagram.



2 SAFETY CAPS

Clip on the safety caps to each post. Use a mallet to tap into place if necessary.



14 Feb 2022