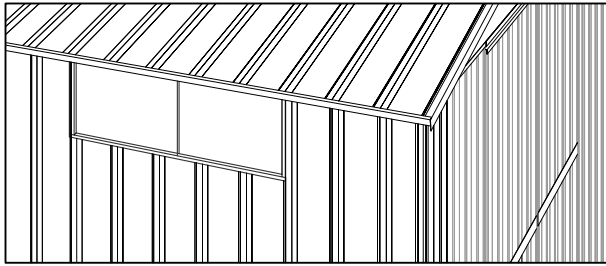
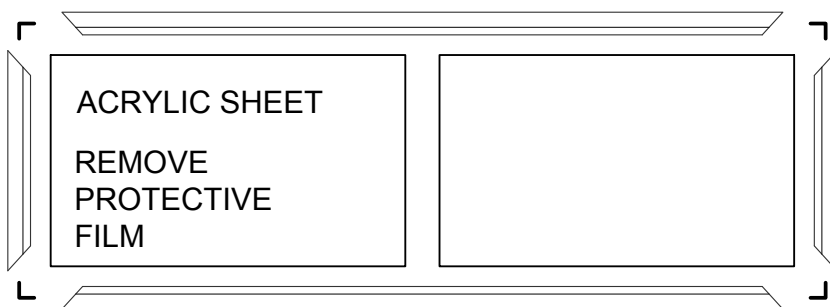


# Absco - Sliding Perspex Window

## FITTING INSTRUCTIONS

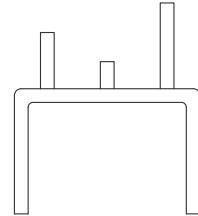


SIZE: 230mm x 730mm



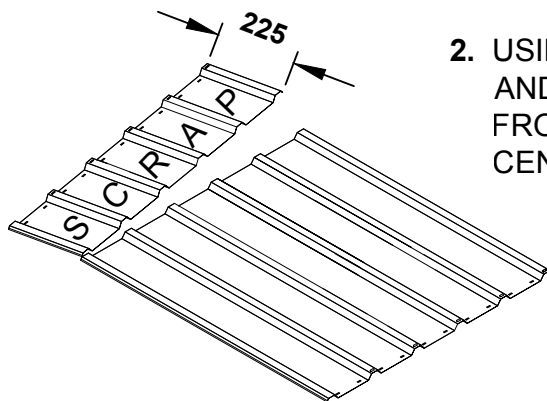
## PARTS LIST

- |     |                      |       |
|-----|----------------------|-------|
| 2)  | PLASTIC TRACKS       | 230mm |
| 2)  | PLASTIC TRACKS       | 690mm |
| 4)  | CORNER JOINER ANGLES |       |
| 2)  | ACRYLIC SHEET        |       |
| 12) | POP RIVETS           |       |

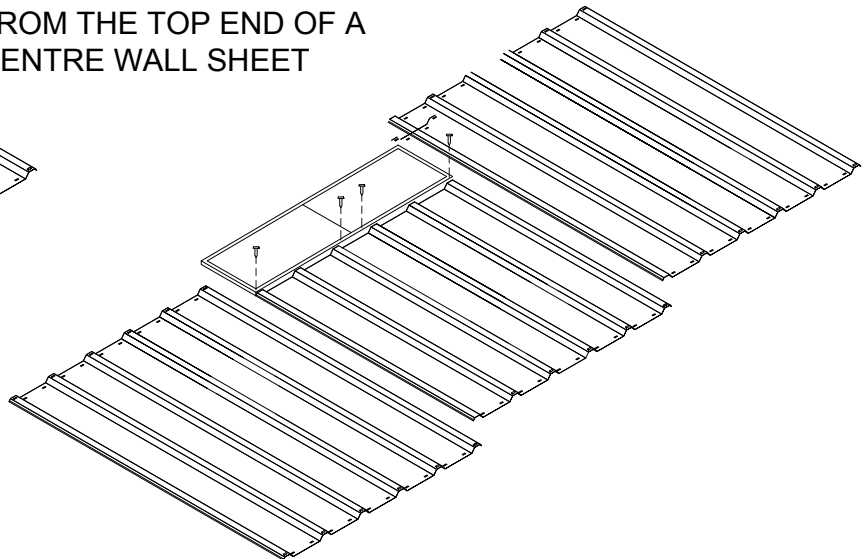


**CROSS SECTION OF  
PLASTIC TRACK**

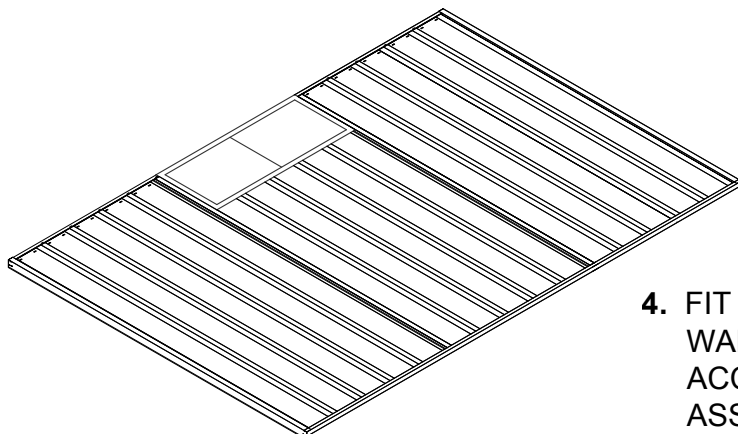
1. ASSEMBLE THE SLIDING WINDOW BY JOINING THE TRACKS AND CORNER ANGLES (AS SHOWN TO THE LEFT)



2. USING A PAIR OF TIN SNIPS, CUT AND DISCARD A 225mm SECTION FROM THE TOP END OF A CENTRE WALL SHEET



3. FIT THE WINDOW IN PLACE AS SHOWN AND FASTEN TO THE RIBS OF THE SHEET WITH RIVETS



4. FIT THE REMAINING SECTIONS OF THE WALL PANEL TOGETHER IN ACCORDANCE WITH YOUR SNAPTITE ASSEMBLY INSTRUCTIONS