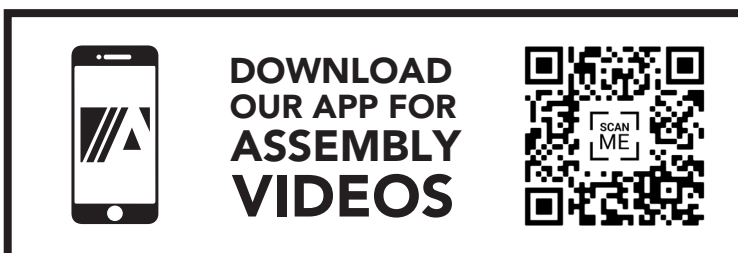


For construction in non-cyclonic areas
Wind rating: N2 as per AS4055-2021.
If you require a higher wind rating please contact
us: admin@absco.com.au or 1800 029 701

NOTE: This shed can be upgraded to wind
rating: C1 as per AS4055-2021 with the additional
purchase of a Cyclone Kit.

When laying concrete slab, ensure there
is a rebated edge 25mm deep around
the perimeter. This will help water egress
from the base of the shed.



PLEASE LEAVE A REVIEW

Tell us about your experience!
Visit www.absco.sheds.com.au/review

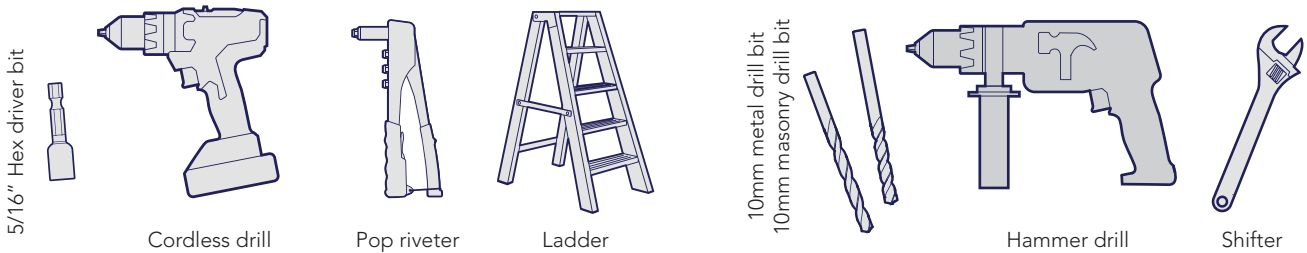
GENERAL INSTRUCTIONS

- Before commencing any assembly, read through these instructions in detail to gain a thorough understanding of assembly methods and associated details.
- Unpack the carton and carefully identify and check off all the parts against the parts described and illustrated on "COMPONENTS PACKING LIST" pages.

SITE PREPARATION

- The site for the shed must be level. An uneven surface may result in misalignment of parts.
- The shed shall be erected on top of a reinforced concrete slab and anchored down appropriately illustrated on "FINAL CONSTRUCTION" page.

TOOLS REQUIRED



SAFETY NOTES

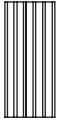
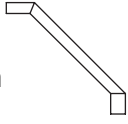
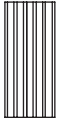
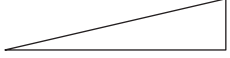
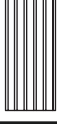
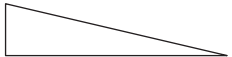
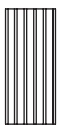
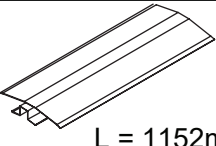
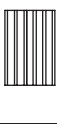
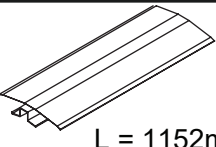
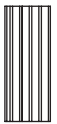

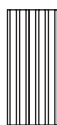
- Some parts may have sharp edges. It is advisable to wear gloves when handling these items and safety glasses if drilling holes. Sensible shoes are highly recommended.
- Do not erect your shed in windy conditions.
- Ensure that the shed is securely anchored to a solid foundation immediately after construction is completed.
- It is highly recommended to erect the shed with two or more people.
- Do not sit, stand or walk on the roof of your shed.

RECOMMENDED



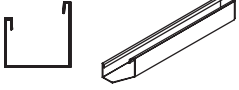
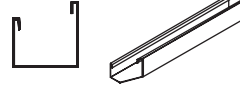


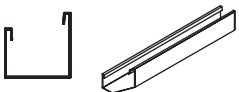
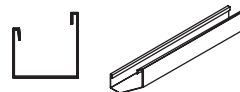
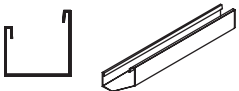
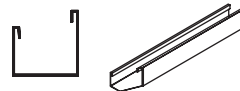


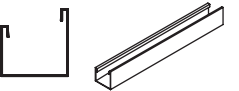
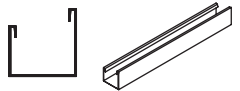
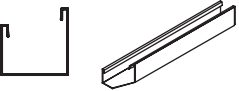

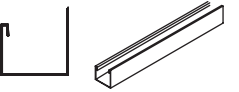
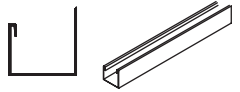
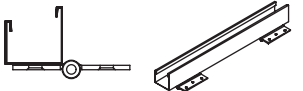
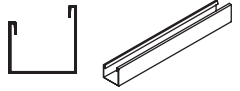
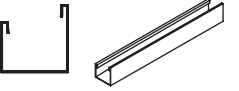

COMPONENT PACKING LIST

Check off all components.

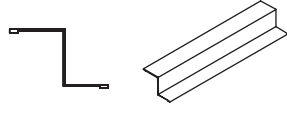
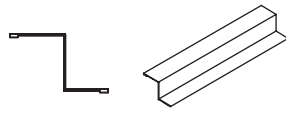
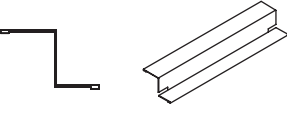
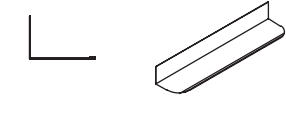
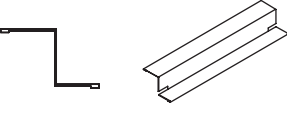
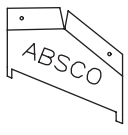
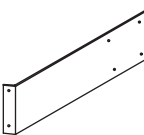



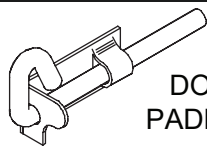
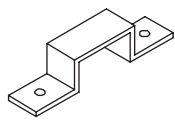
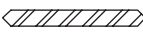
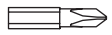



QTY	COMPONENT DESCRIPTION	PART No.	CHECK	QTY	COMPONENT DESCRIPTION	PART No.	CHECK
2	 STEEL SHEET 1785mm X 773mm	30A		2	BRACE L: 350mm 	13B	
3	 STEEL SHEET 1785mm X 773mm	31A		2	GABLE L/H L=1105mm 	17L	
2	 STEEL SHEET 1170mm X 773mm	48L		2	GABLE R/H L=1105 	17R	
2	 STEEL SHEET 1170mm X 773mm	48R		1	 RIDGE BEAM L = 1152mm	97BL	
2	 STEEL SHEET 1170mm X 773mm	49A		1	 RIDGE BEAM L = 1152mm	97BR	
6	 STEEL SHEET 1785mm X 731mm	32A		1	 RIDGE BEAM JOINER L: 450mm (17.7")	ZARSP	
1	 STEEL SHEET 1725mm X 773mm	B					

Nominal sheet widths are shown. +/- 2mm is within tolerance.

COMPONENT PACKING LIST

QTY	COMPONENT DESCRIPTION	PART No.	CHECK	QTY	COMPONENT DESCRIPTION	PART No.	CHECK
1	 CHANNEL L = 1126.5mm	54CL		1	 CHANNEL L = 1126.5mm	54CR	
2	 CHANNEL L = 1089.5mm	59BL		2	 CHANNEL L = 1089.5mm	59BR	
1	 CHANNEL L = 1126.5mm	76AL		1	 CHANNEL L = 1126.5mm	76AR	
1	 CHANNEL L = 1126.5mm	76BL		1	 CHANNEL L = 1126.5mm	76BR	
2	 CHANNEL L = 1126.5mm	78BL		2	 CHANNEL L = 1126.5mm	78BR	
2	 CHANNEL L = 1126.5mm	81CL		2	 CHANNEL L = 1126.5mm	81CR	
1	 CHANNEL L = 1126.5mm	81DL		1	 CHANNEL L = 1126.5mm	81DR	
2	 CHANNEL L = 1089.5mm	81HL		2	 CHANNEL L = 1089.5mm	81HR	
1	 CHANNEL WITH HINGES L = 1725mm	58A		2	 CHANNEL L = 773mm	58C	
1	 CHANNEL L = 1725mm	58B		1	 CHANNEL L = 788mm	79B	

COMPONENT PACKING LIST

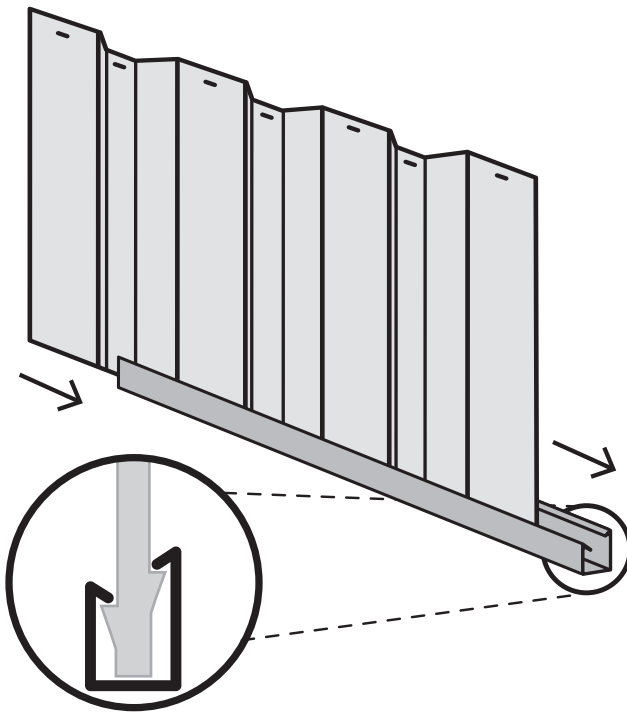
QTY	COMPONENT DESCRIPTION	PART No.	CHECK	QTY	COMPONENT DESCRIPTION	PART No.	CHECK
1	 JAMB L= 1785mm	89A		2	 JAMB L= 1120mm	91A	
1	 JAMB L= 1785mm	89B		4	 LIP TRIM L= 1170mm	86B	
1	 JAMB L= 788mm	90B					
INSTRUCTIONS & FITTINGS PACKET							
2	 CAP GABLE L: 170mm	14A		1	 DOOR STRAP L: 165mm	12A	
12	 CHANNEL JOINER L= 200mm (7.9")	CSJ		10	 HEX HD TEK SCREW W/ NEO WASHER 10-16x16mm	FAST033	
1	ASSEMBLY INSTRUCTIONS			1		SELF TAPPING SCREWS PACKET CONTAINING 100	
				1		PSTKSGL SINGLE DOOR FITTINGS PACK	
PSTKSGL - SINGLE DOOR FITTINGS PACK							
1	 DOOR PADBOLT	FAST006		1	 DOOR PADBOLT HASP	FAST007	
1	3mm DRILL BIT 	DRILL		1	PHILLIPS DRIVER BIT 	FAST038	
1	 SELF TAPPING SCREWS PACKET CONTAINING 220			1	PACK 6P SCREW PACK 6		
PACK 6P - SCREW PACK 6							
6	 3/16 COUNTERSUNK SCREWS & NUTS			6	 3.2 x 8mm BLIND POP RIVETS		

SNAPTITE ASSEMBLY GUIDE

The Snaptite Assembly System locks end channels to all roof and wall sheets without the need for tools and fasteners.

To assemble each panel, the perimeter channels are secured to the top and bottom of each panel. Gently tap the channel over the SNAPTITE lugs on the sheet, working along the sheet.

Each perimeter channel must finish flush with the edges of the sheets. Simply tap the channel along the sheets until each end is neatly flush. If you need to remove channels from the panels, slide it off from the side.



SNAPTITE
World's Easiest Assembly System
UNIQUE PATENTED SYSTEM

Channel locks the shed panel into position without the need for screws!

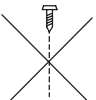
FASTENING SYMBOLS

SNAPTITE

Secure channel to sheeting by SNAPTITE fastening method.



Join components together with one screw at this location only, as some channels have extra holes that are not required for this model of shed.



Do not join components together at this location yet, as the screws may obstruct further assembly of the other components.



Join components together by pre-drilling the holes first. Use one component as template to mark where the holes are and drill with a 3mm drill bit.



3mm pop rivet



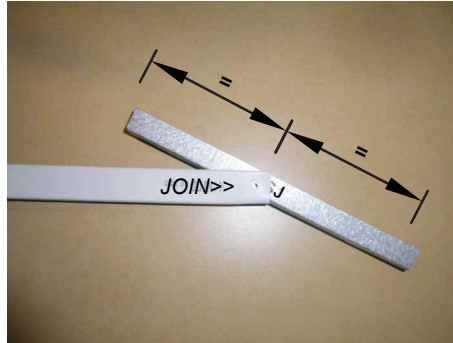
4mm nut and bolt set.

Guide on Joining Spliced Channels

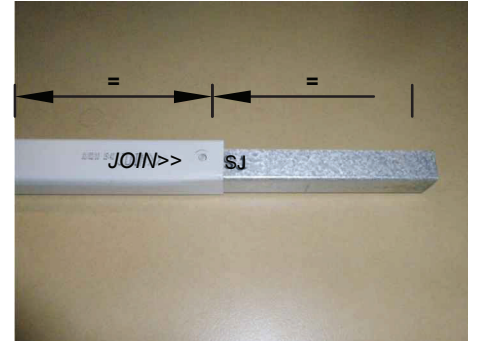
The text marked on all parts must be shown on the same side as each other



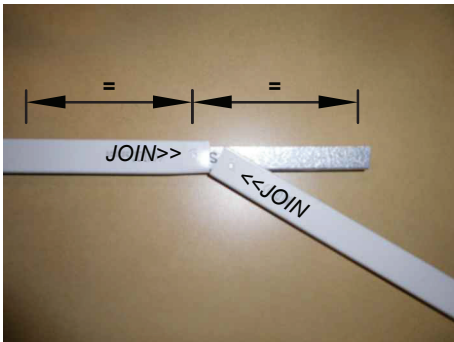
Step 1.
Position the channels and the CSJ joiner so the centre of the CSJ is in line with the end of each channel to be joined together.



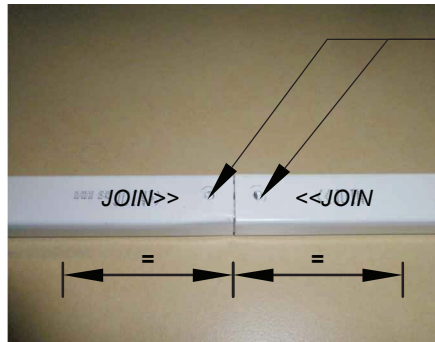
Step 2.
Join the first channel to the CSJ by inserting the centre of the CSJ, on an angle, to the end of the channel where the JOIN>> text is marked.



Push down one side of the CSJ until you hear a 'click'.

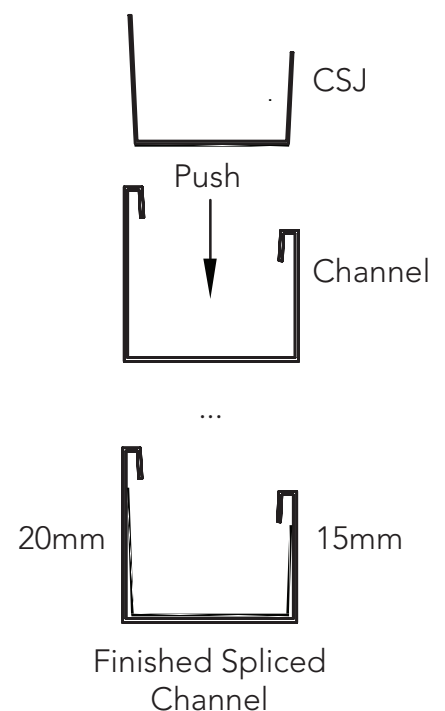


Step 3.
Join the second channel to the CSJ by positioning the <<JOIN of the channel at the centre of the CSJ, on an angle. Push the CSJ into the channel until you hear a 'click'.



Finished Channel.
The joined channels should now look like the picture with the CSJ positioned equally inside of the joined channels.

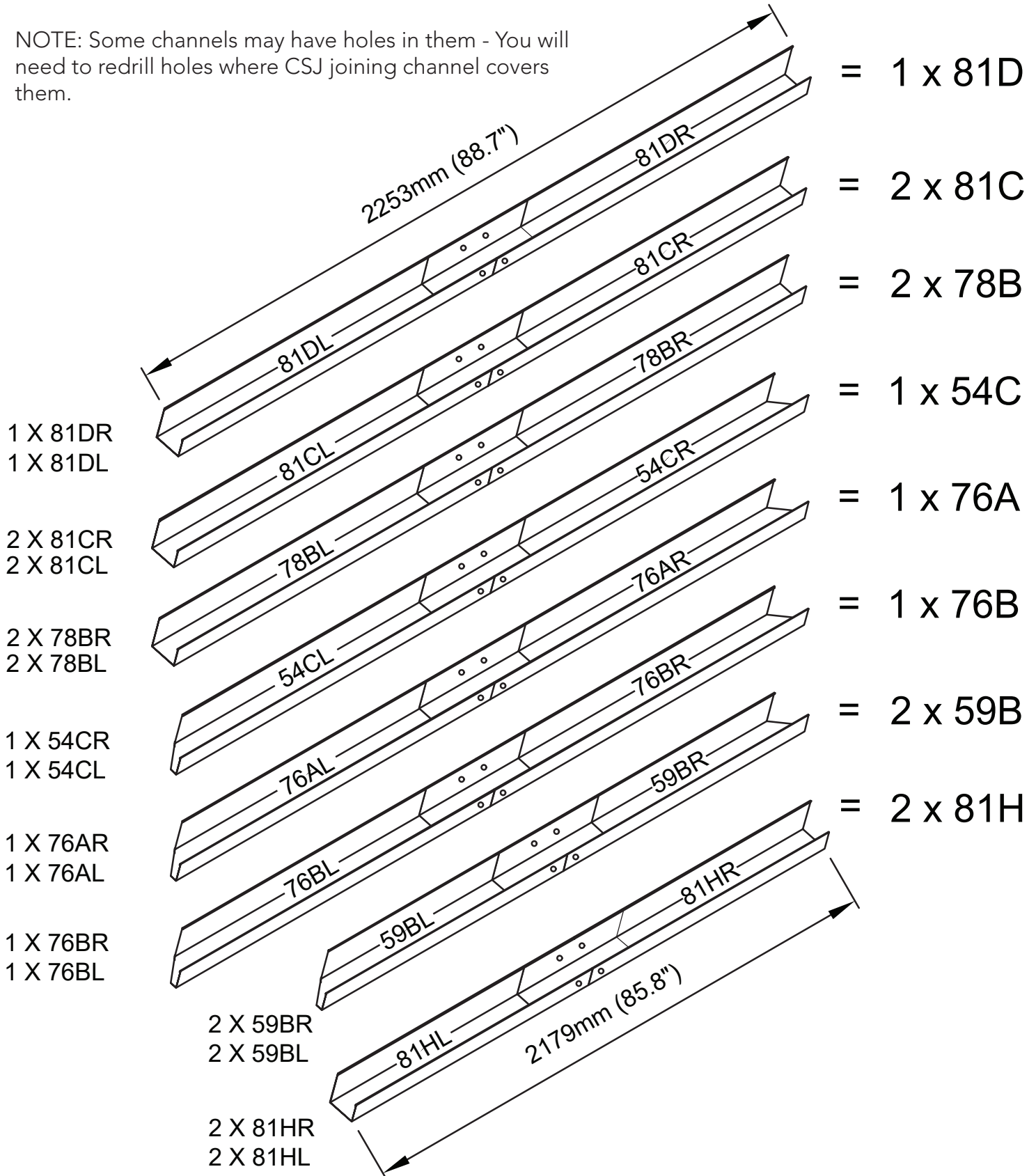
Drill out holes with 3mm drill bit in CSJ to match the holes in channel. Drilling of screws on the joined channels is being done after sheets are locked on the spliced channels.



PRE-ASSEMBLY OF SPLICED CHANNELS

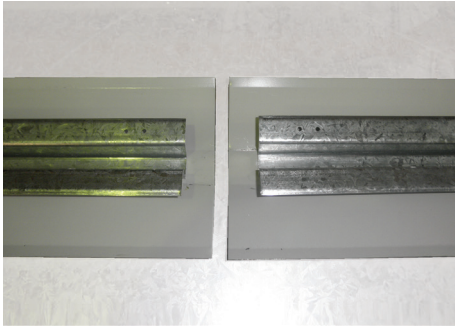
Join together 24 x channel sections using 12 x channel joiners (Part CSJ)

NOTE: Some channels may have holes in them - You will need to redrill holes where CSJ joining channel covers them.

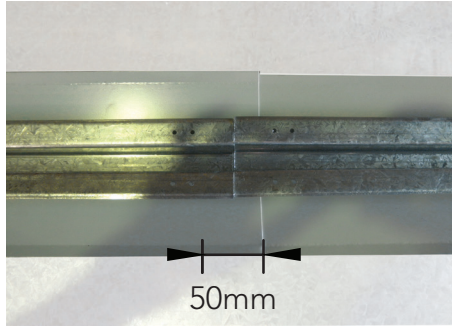


Guide on Joining a Spliced Ridge Beam

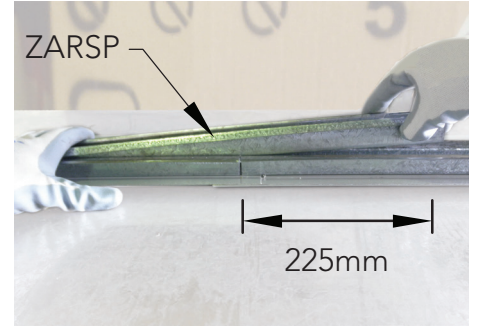
Follow these three steps to assemble a ridge beam.



Step 1.
Place two ridge beams as shown and push them together. Slide the cap of one under the other.



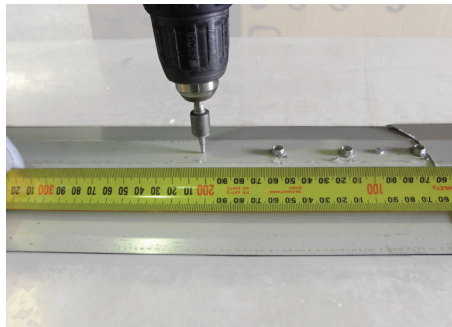
NOTE.
There is a 50mm overlap of the ridge caps when the beams are in position.



Step 2.
Use the ZARSP to connect at the centre of the two ridge beams. Be sure it is pushed in fully.

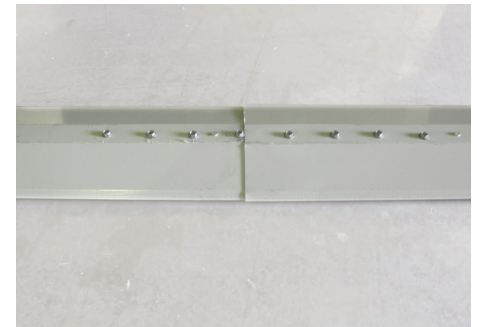


Step 3.
Turn over the ridge beam. Measure 250mm from the middle along the centre of one ridge beam, mark spacings of 50mm. Fasten with a Tek screw at each marking.



Repeat to the other side of the ridge beam assembly.

TIP: Pre-drilling each hole with the 3mm drill bit makes it easier to fasten.



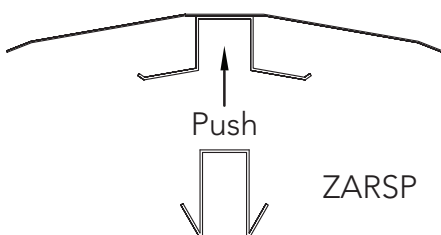
Finished Spliced Ridge Beam



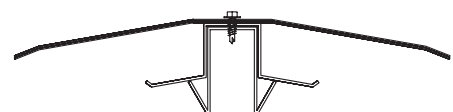
Hex Driver Bit



Hex Hd Self-drilling tek screw with neoprene washer

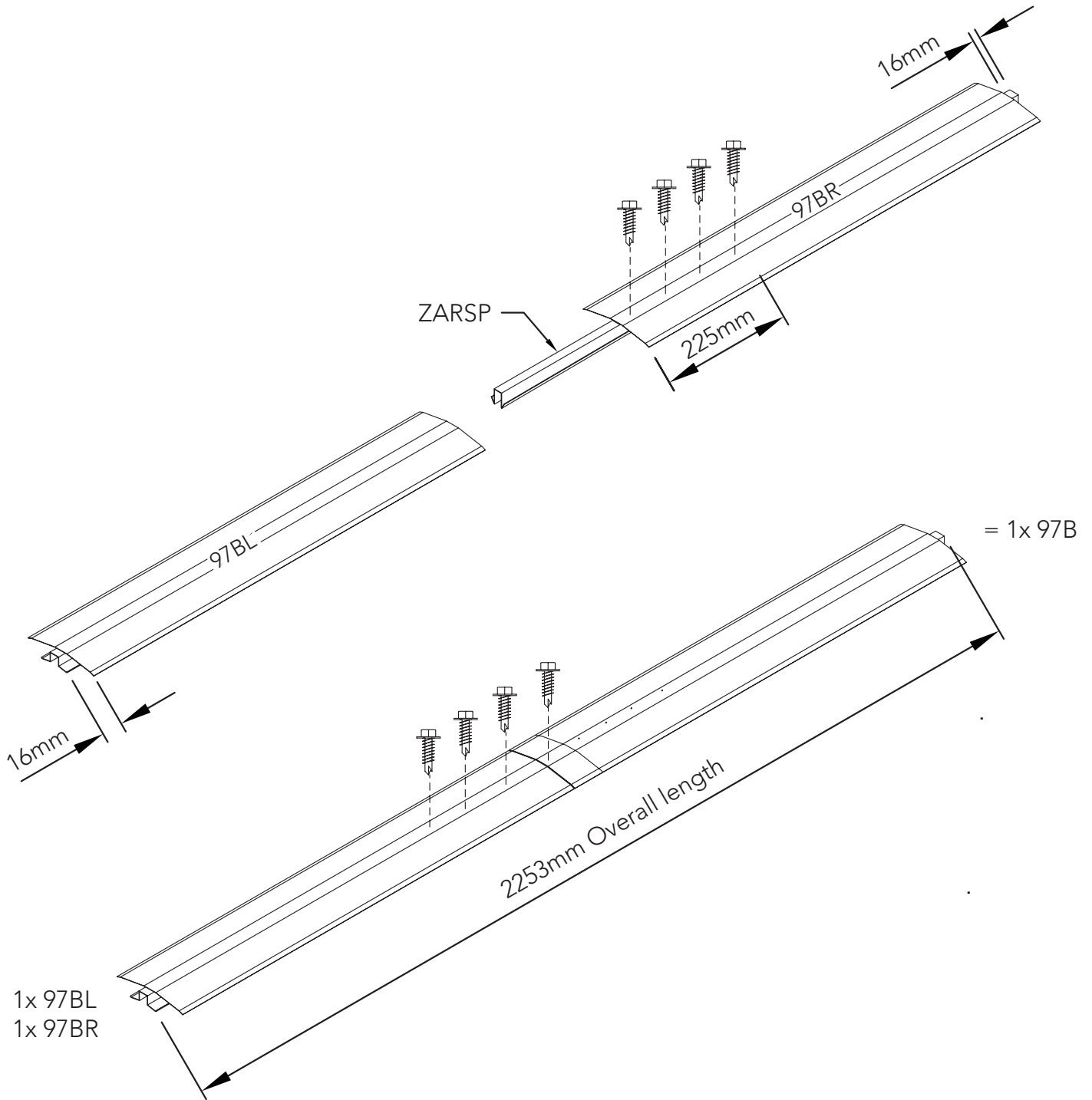


ZARSP



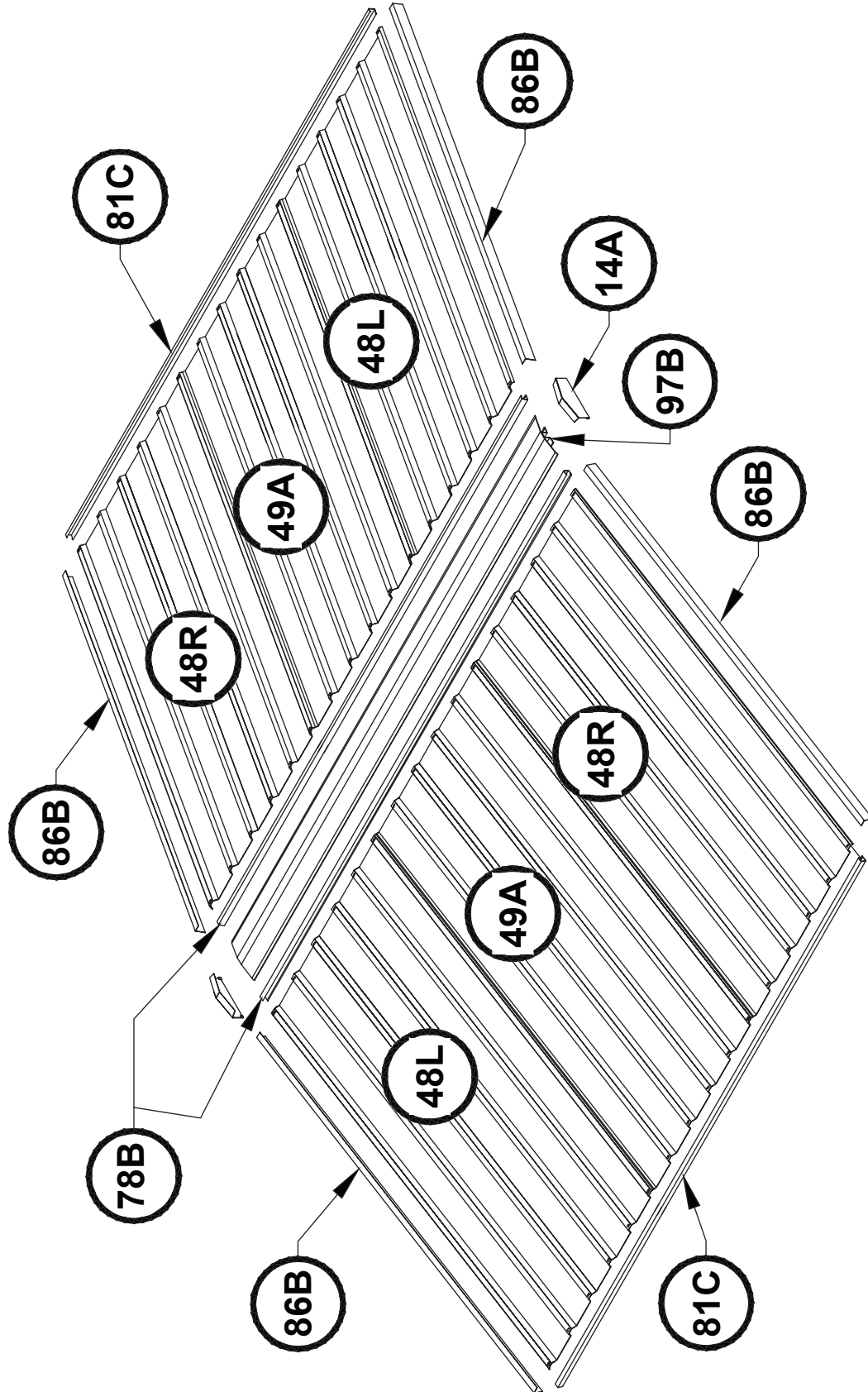
Finished
Joined Ridge Beams

PRE-ASSEMBLY OF SPLICED RIDGE BEAM

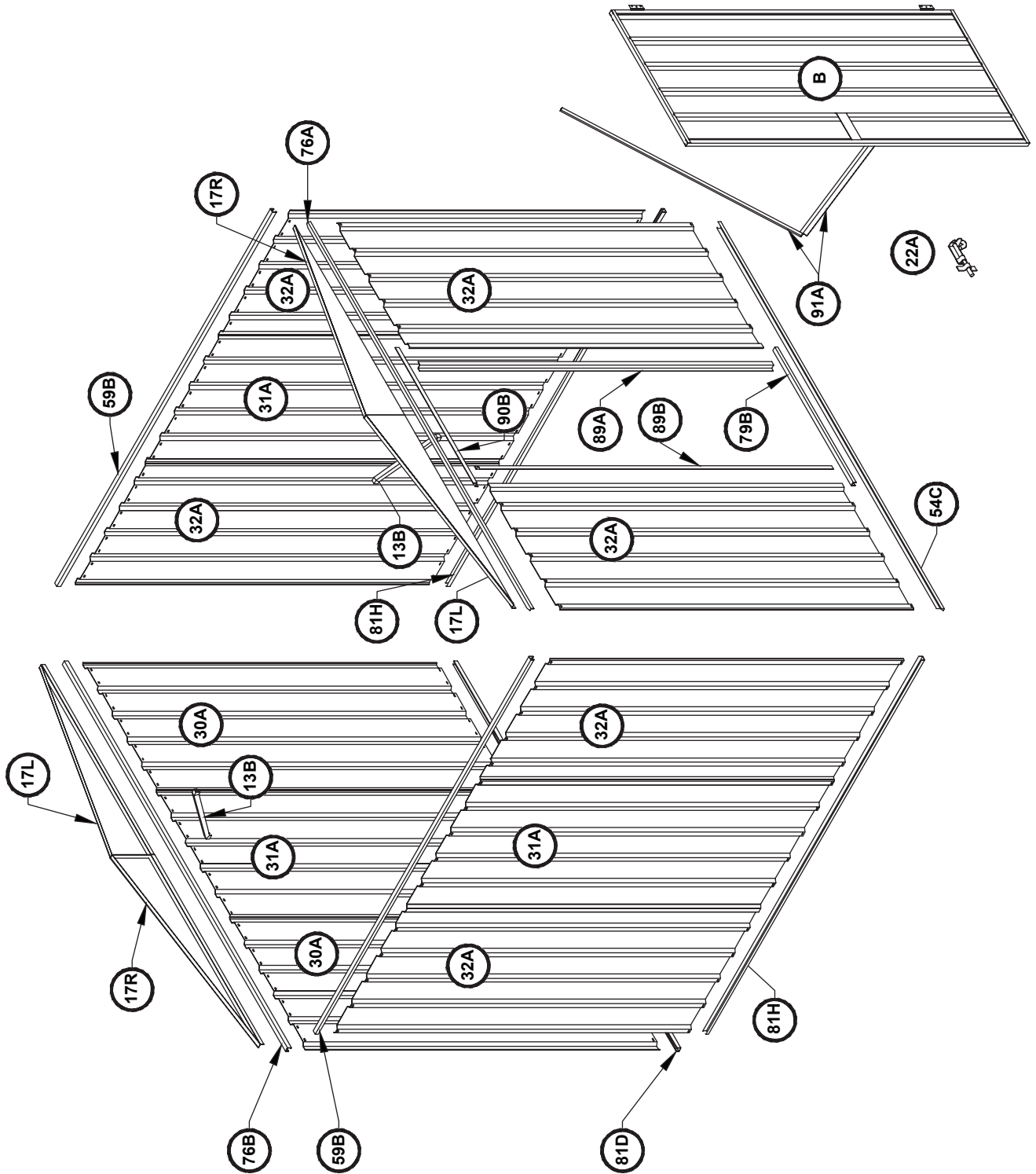


OVERVIEW OF ROOF COMPONENTS

OVERVIEW OF ROOF COMPONENTS



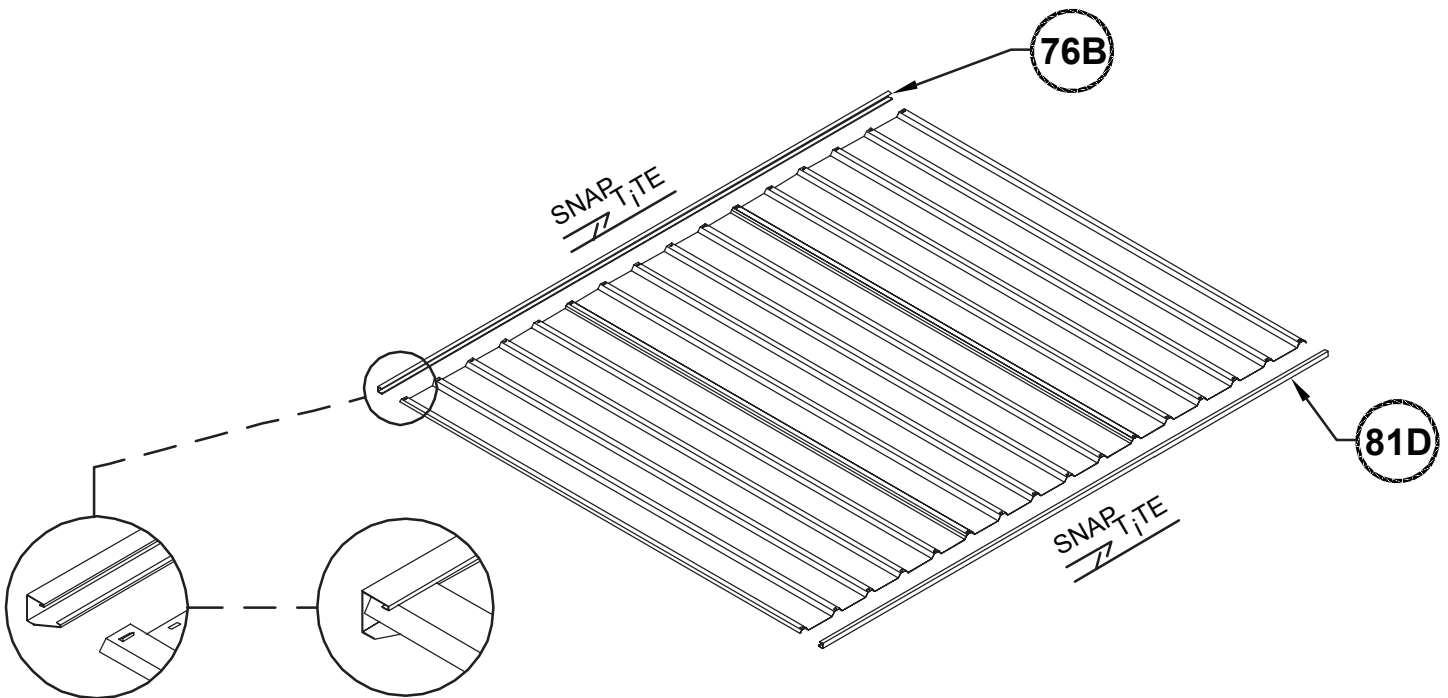
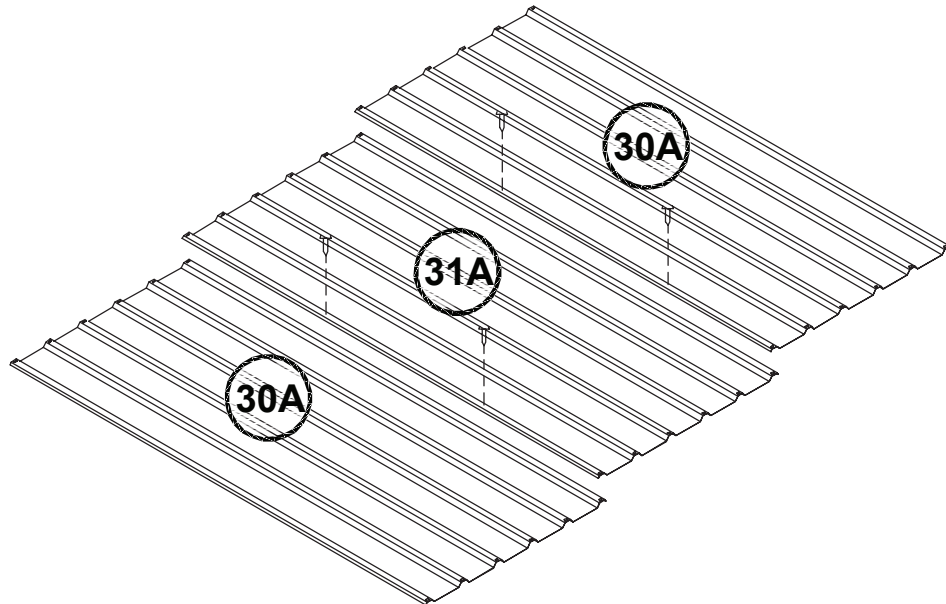
OVERVIEW OF WALL COMPONENTS



OVERVIEW OF WALL COMPONENTS

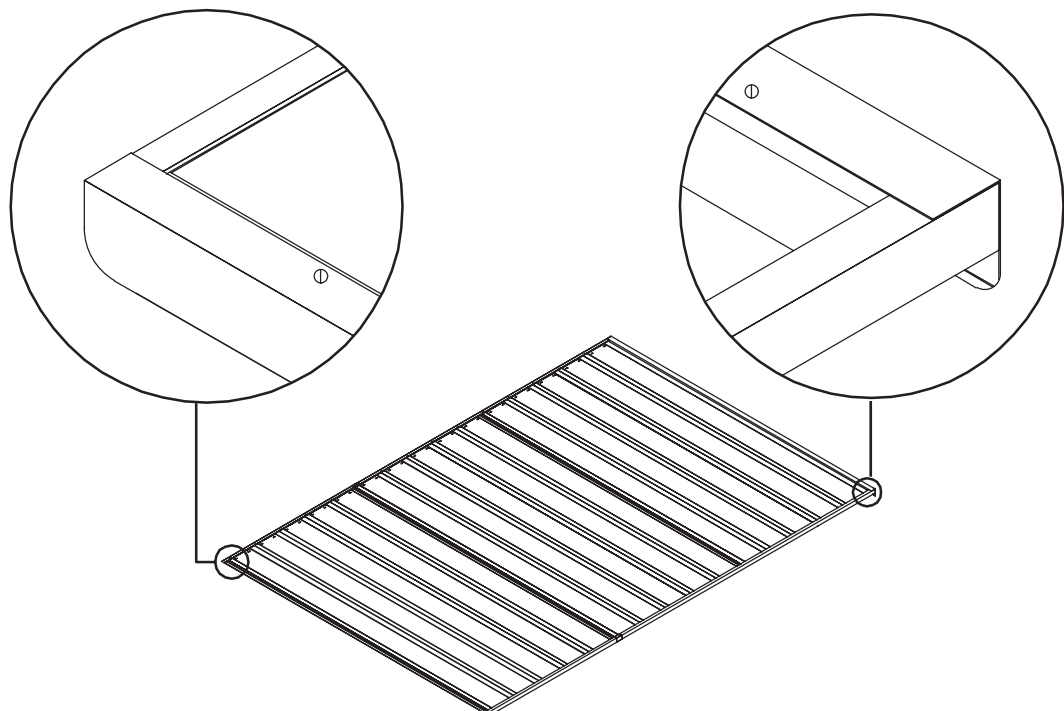
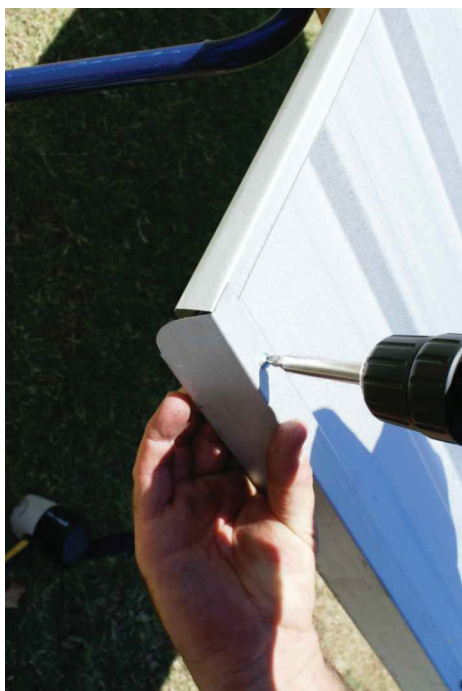
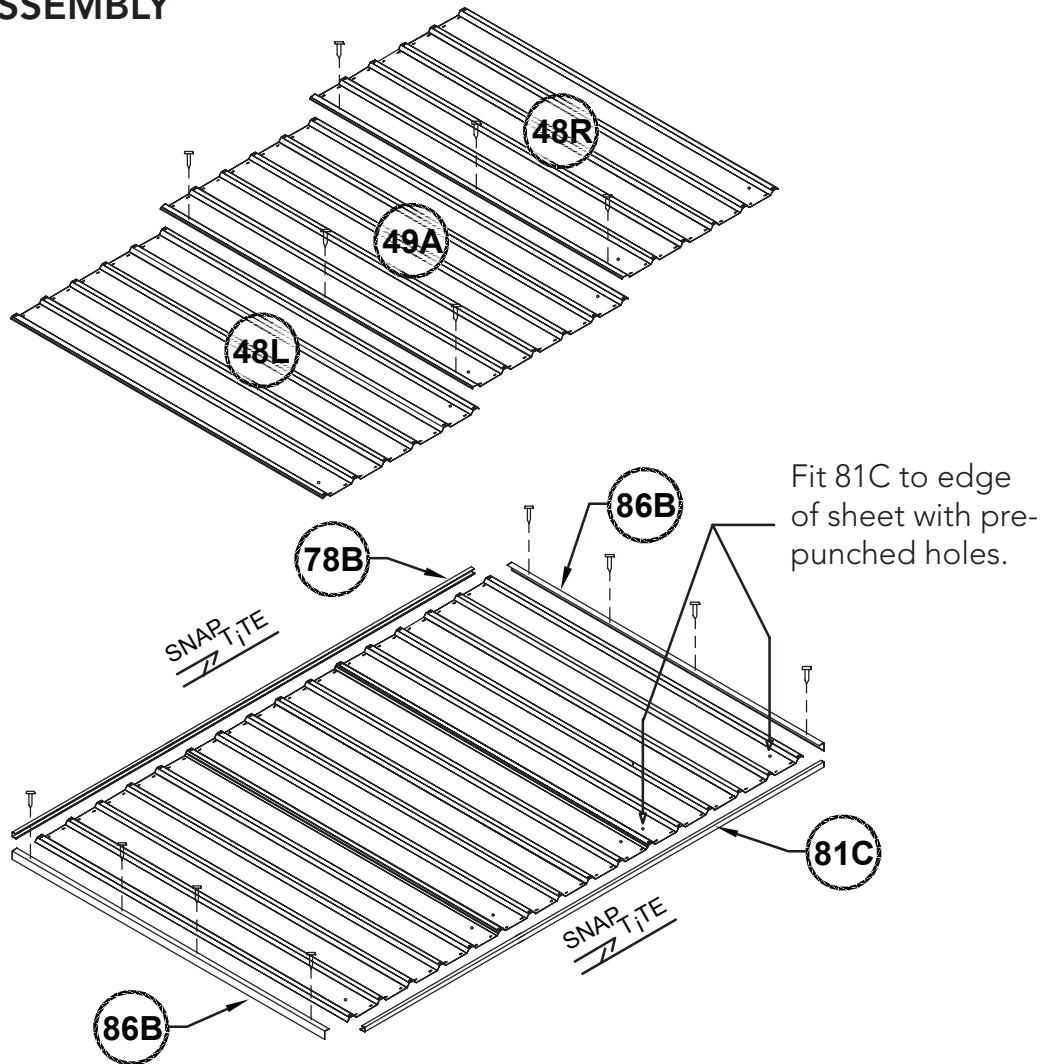
REAR PANEL ASSEMBLY

1x required.



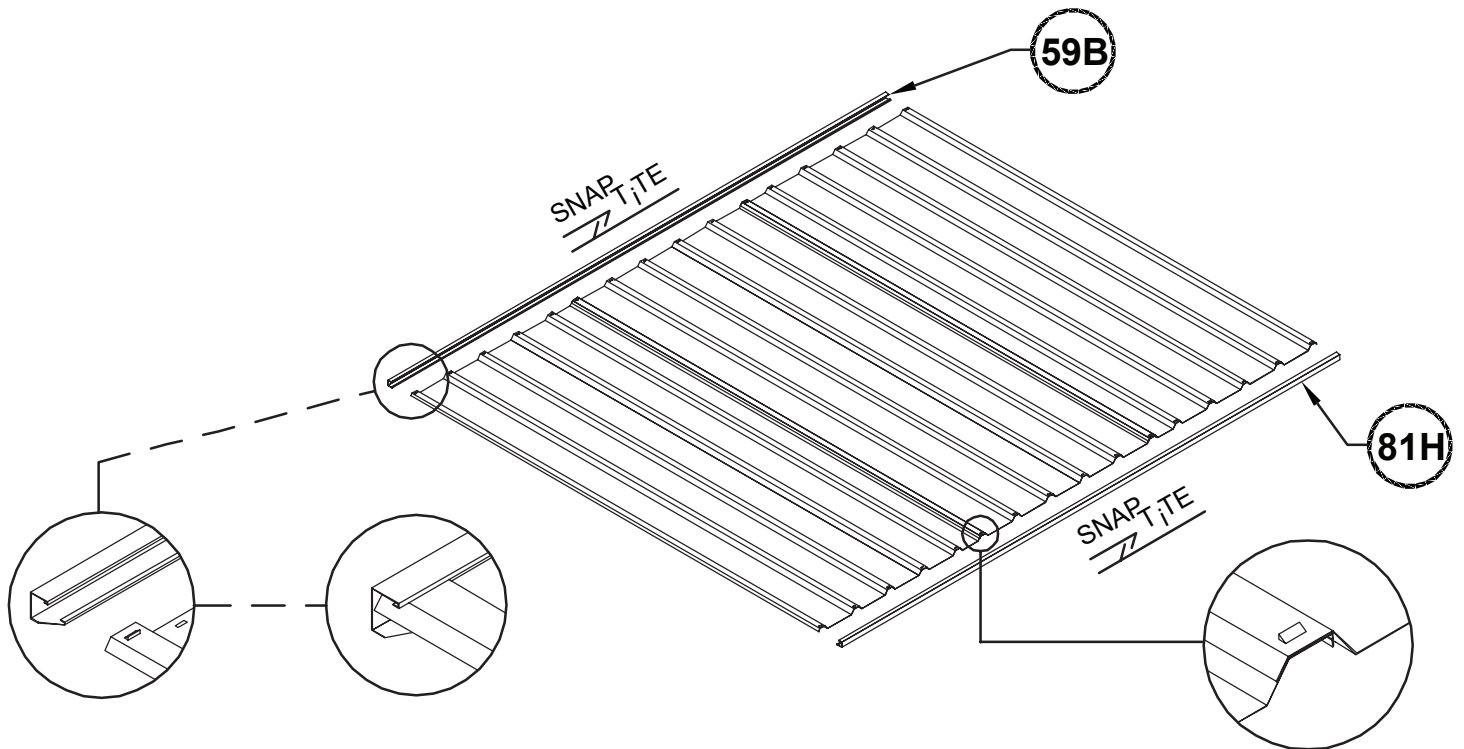
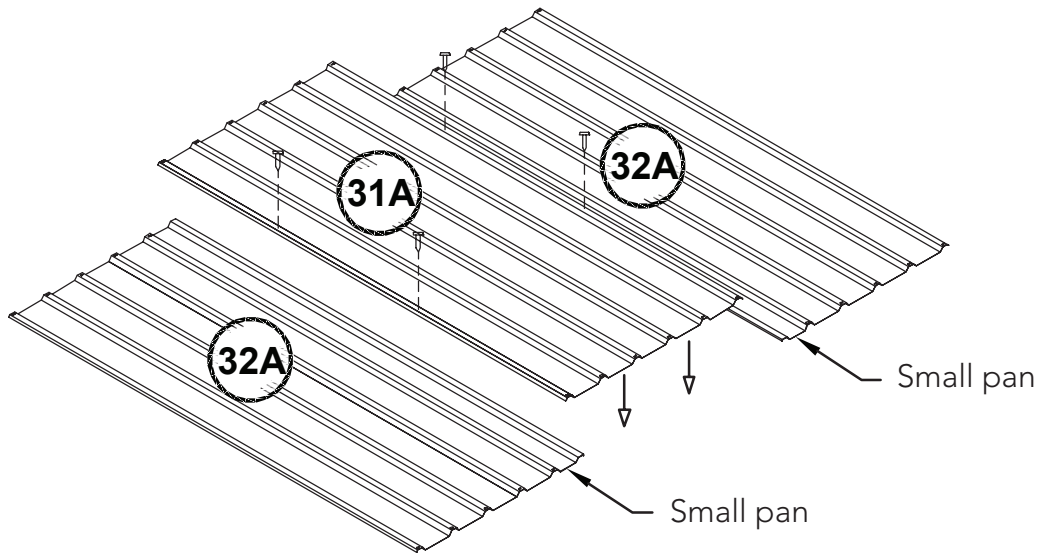
ROOF PANEL ASSEMBLY

2x required.



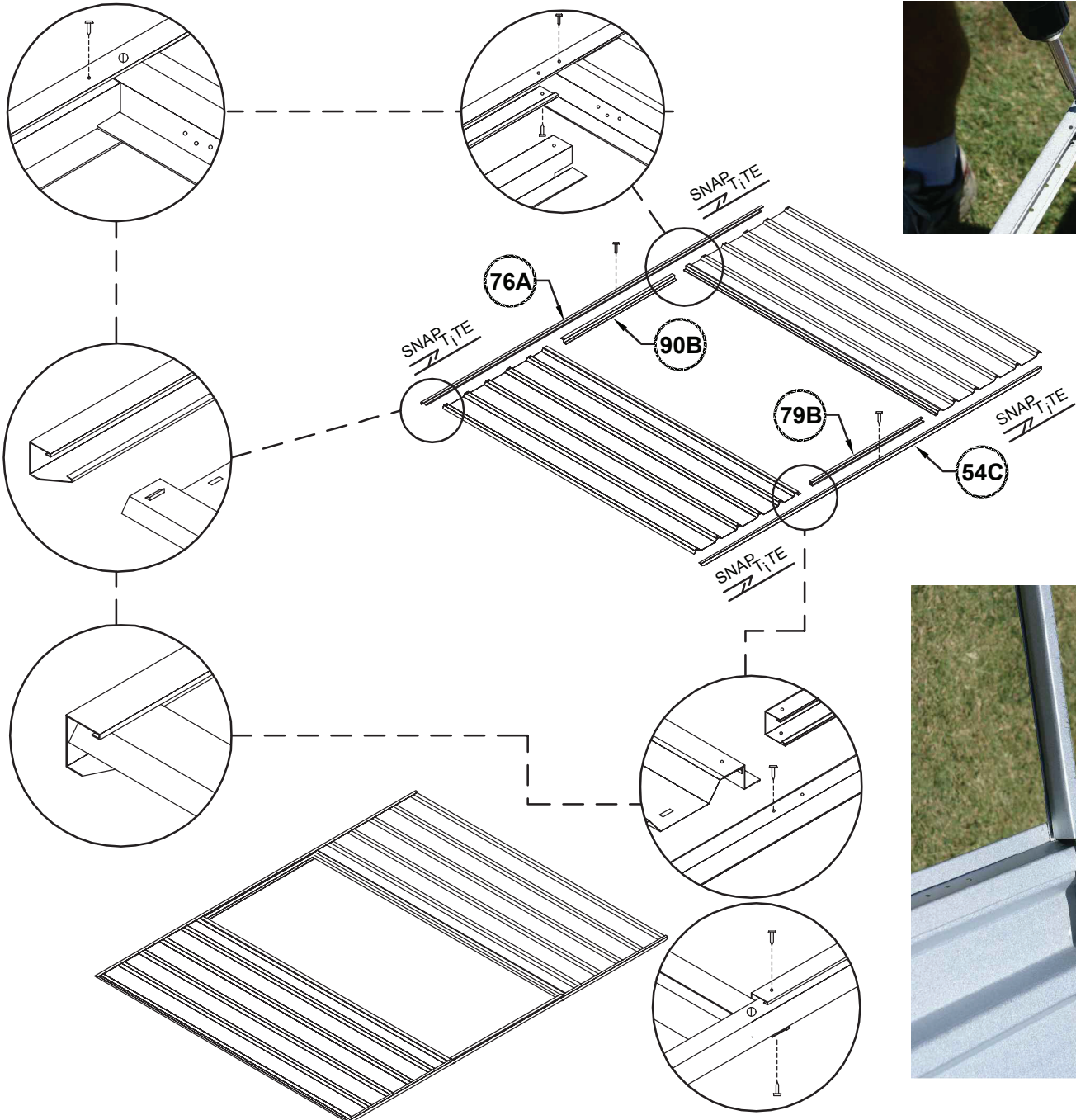
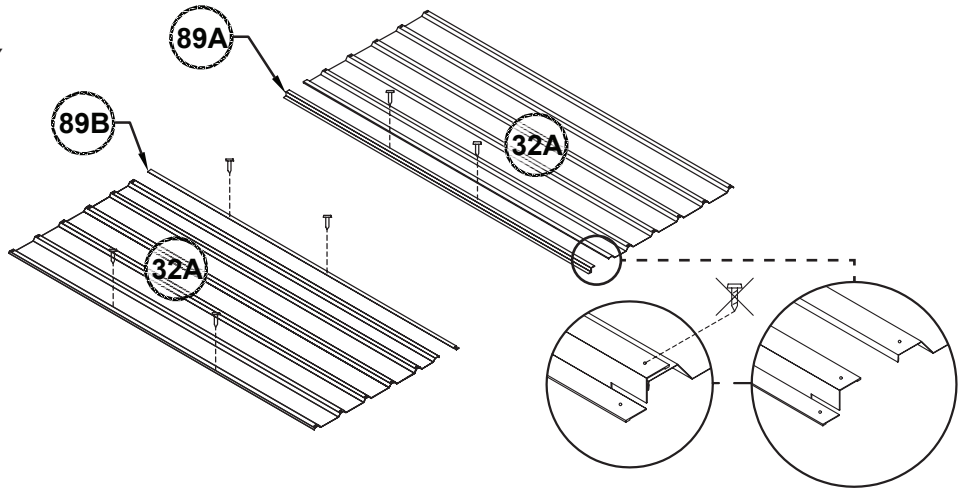
SIDE PANEL ASSEMBLY

2x required.



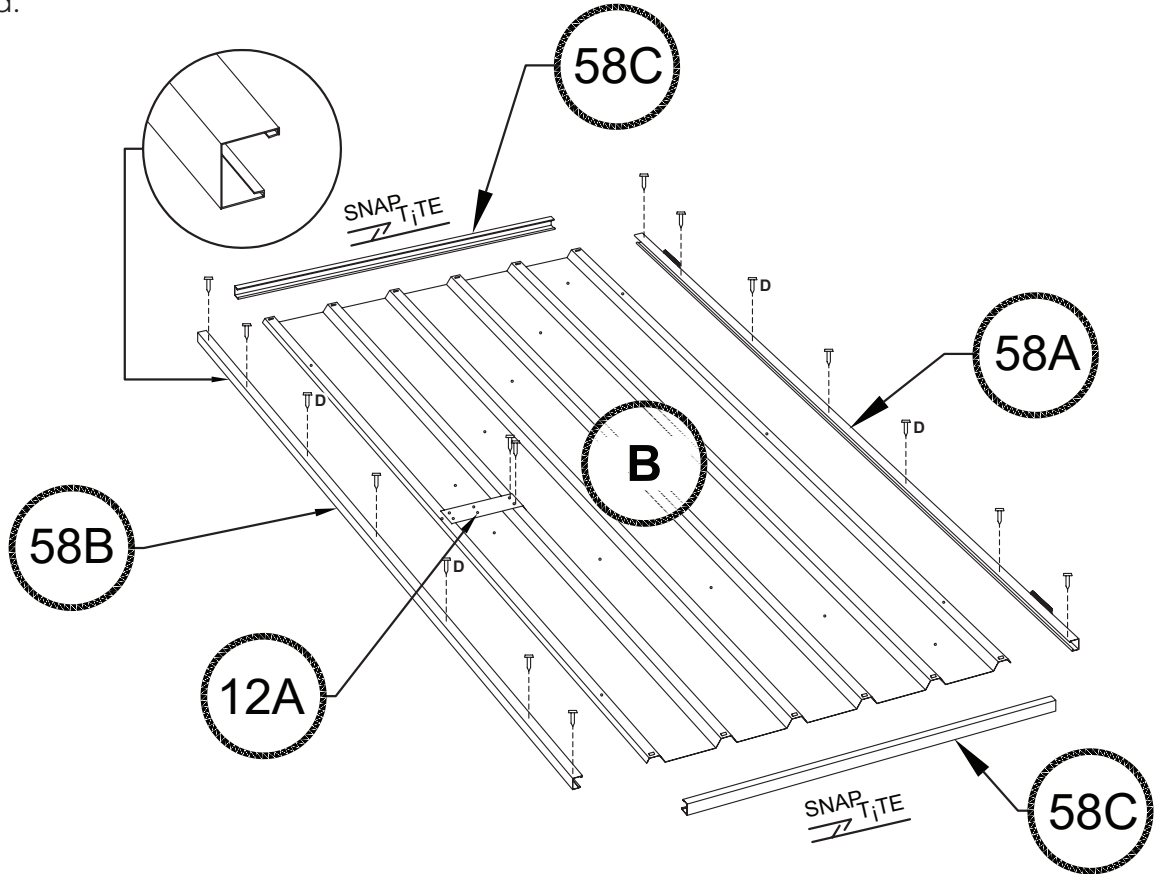
FRONT PANEL ASSEMBLY

1x required.

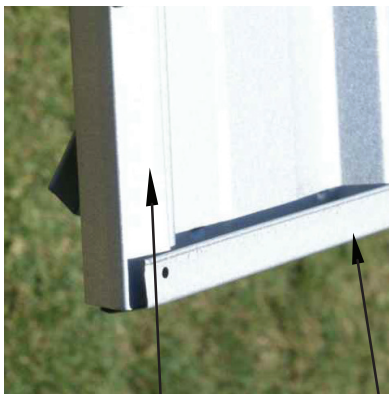


DOOR PANEL ASSEMBLY
SINGLE DOOR

1x required.

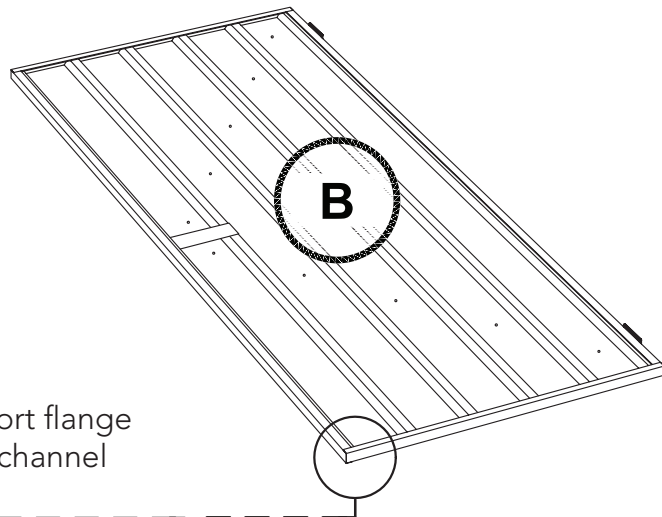
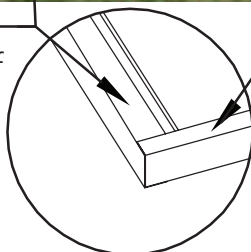


Vertical door channels are installed in the opposite orientation compared to the horizontal door channels.



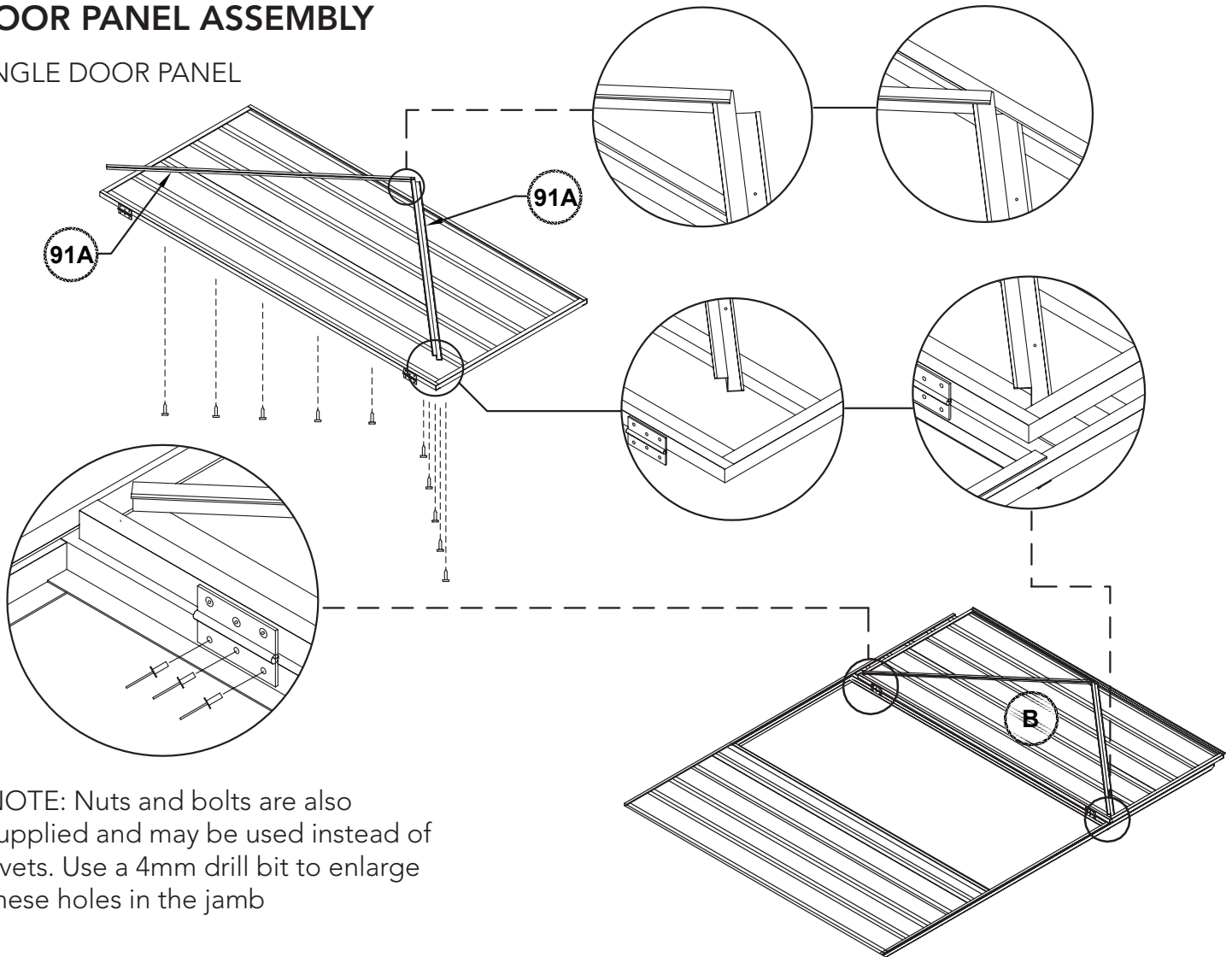
Long flange of channel

Short flange of channel



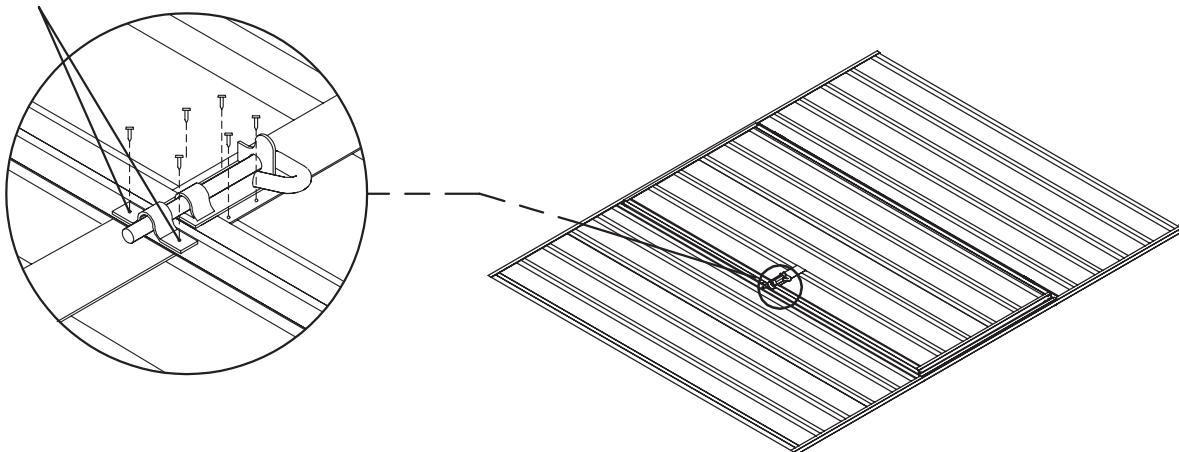
DOOR PANEL ASSEMBLY

SINGLE DOOR PANEL



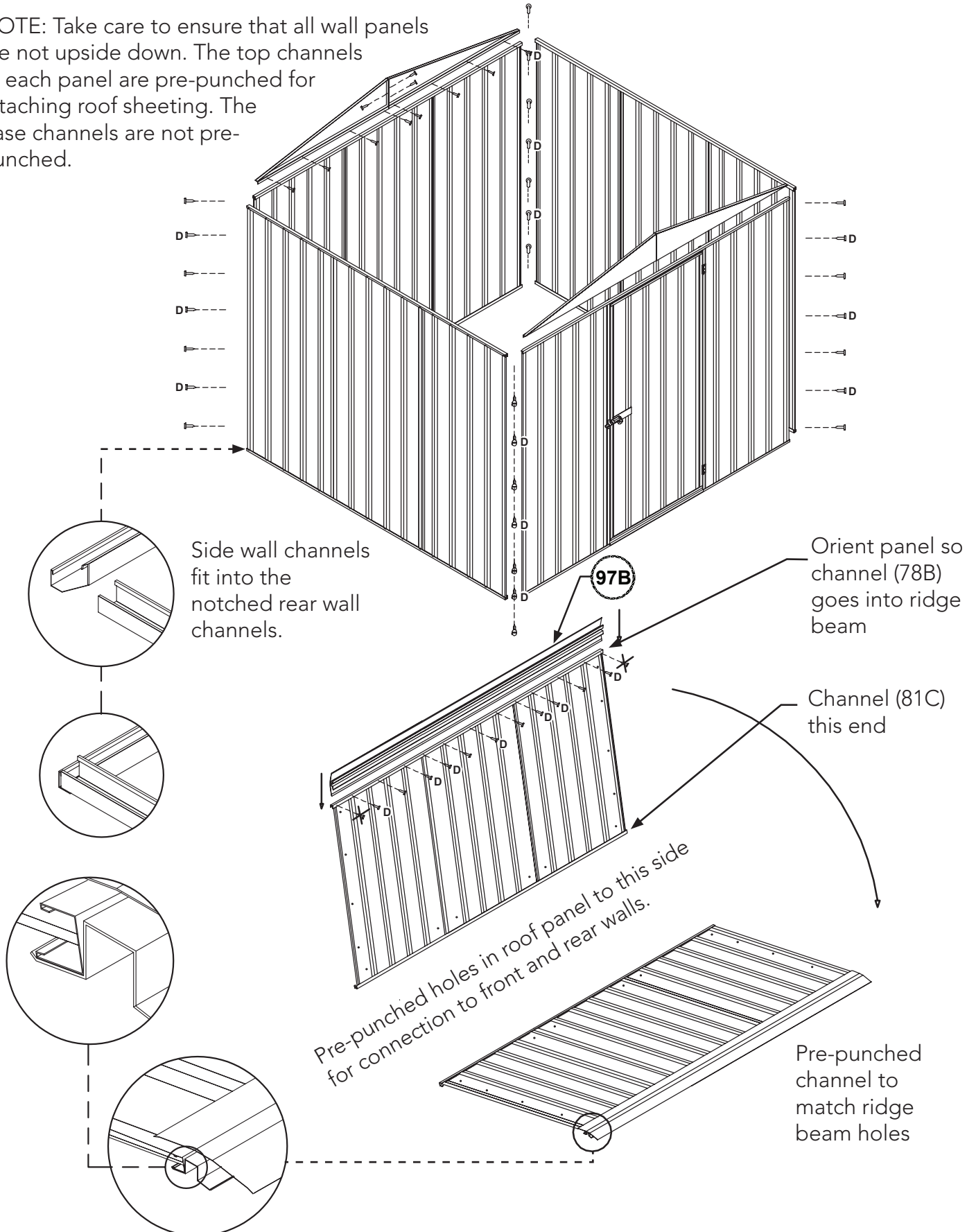
NOTE: Nuts and bolts are also supplied and may be used instead of rivets. Use a 4mm drill bit to enlarge these holes in the jamb

NOTE: The holes to fasten the padbolt hasp are not pre-punched to allow for proper alignment. Position the hasp centrally over the padbolt shaft and drill 3mm holes and secure with screws.

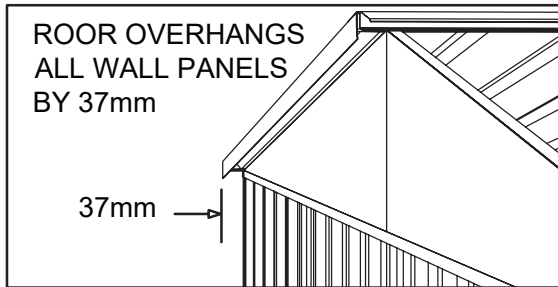


PANEL CONSTRUCTION

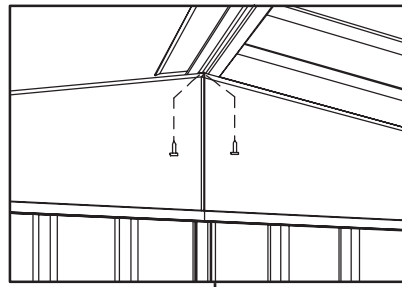
NOTE: Take care to ensure that all wall panels are not upside down. The top channels of each panel are pre-punched for attaching roof sheeting. The base channels are not pre-punched.



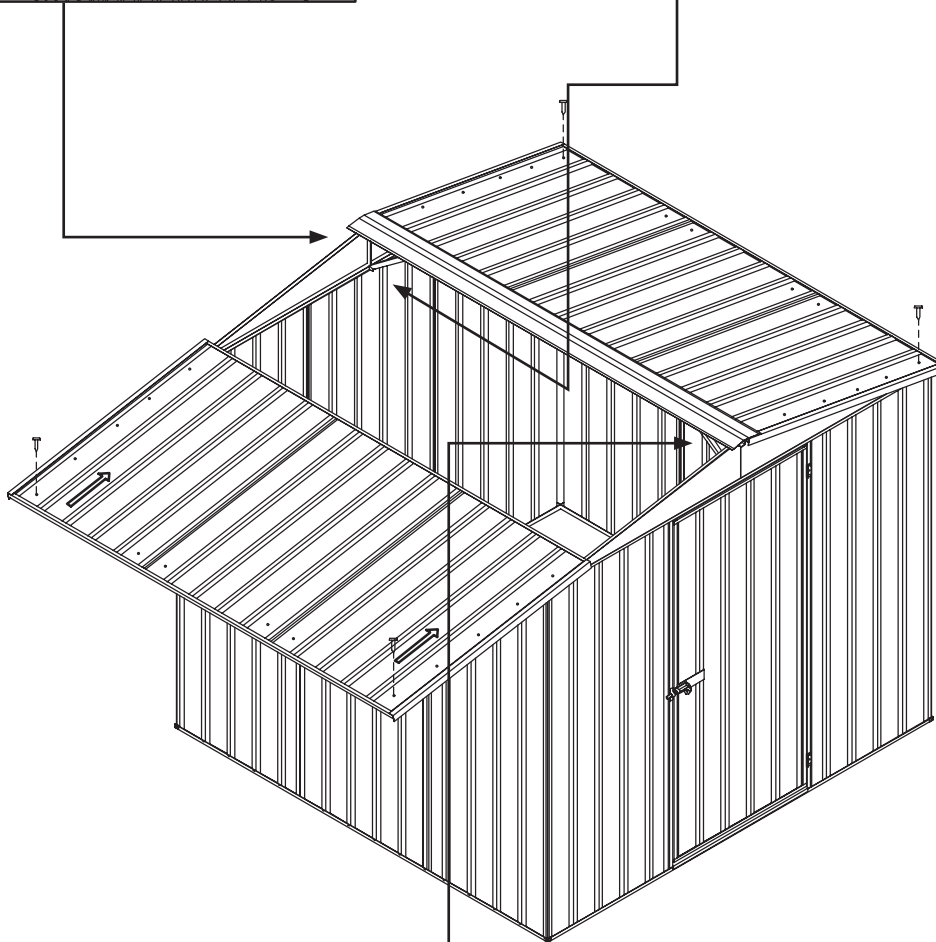
OUTSIDE VIEW



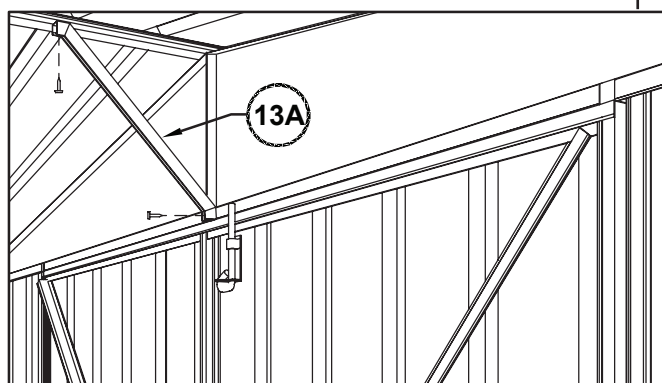
INSIDE VIEW OF FIXING



Secure ridge beam to gable sections with two screws at each end. Secure each roof panel with one screw in each corner only at this stage

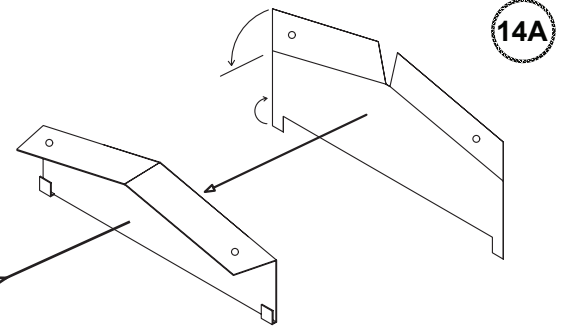
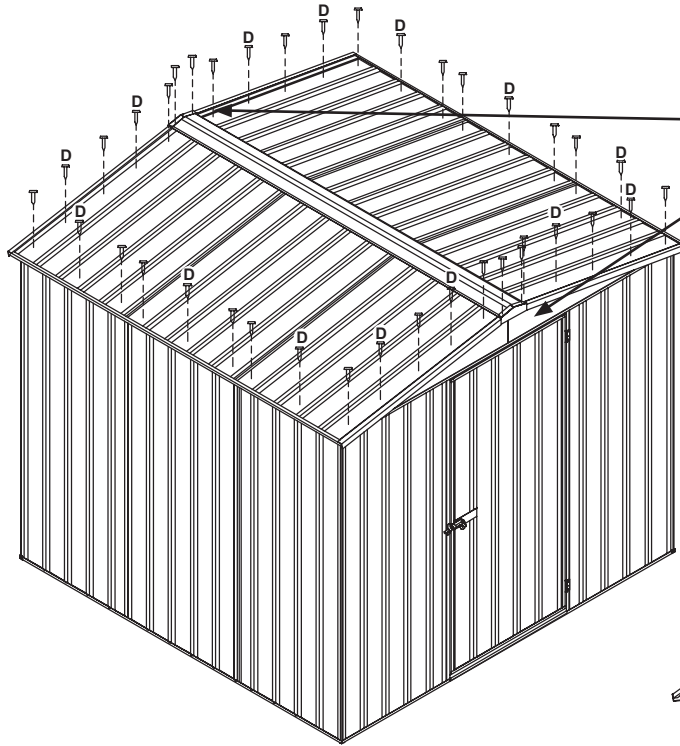


INSIDE VIEW OF FRONT WALL

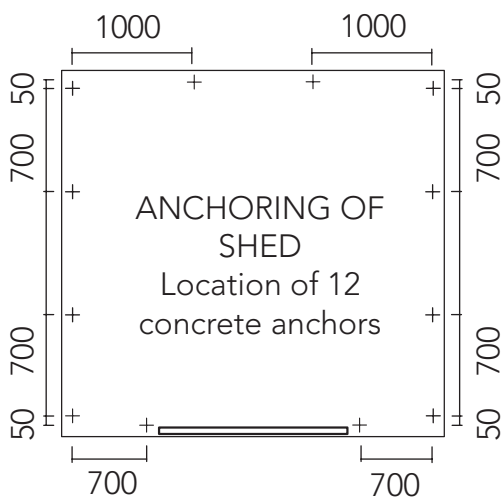
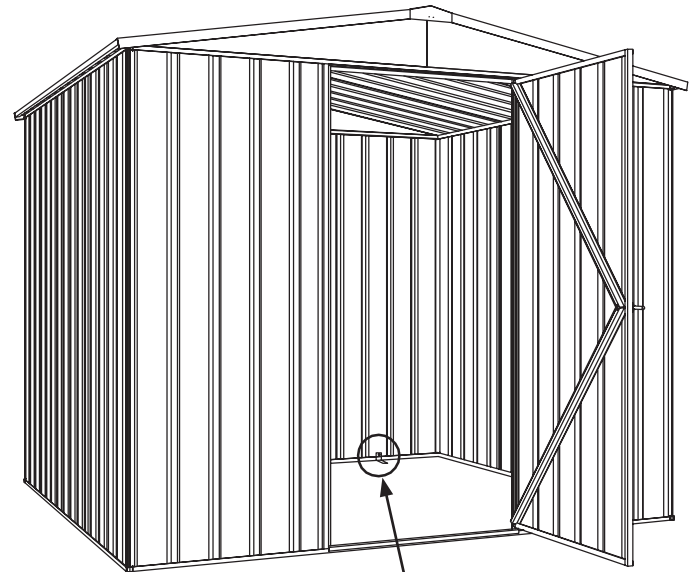


After attaching both roof panels to walls as shown above, fit one regent brace to the ridge beam and front wall as shown. You will have to remove and replace existing screws at fixing locations. Repeat this procedure for the rear wall regent brace

FINAL CONSTRUCTION



Bend the top and bottom flanges as shown, then hook the bottom flanges under the top channel and screw top to the ridge beam with two screws.



Bolt and Nut*
M10 4.6/S

Steel Angle
35 x 35 x 3

M10 Dynabolt

Wall Sheet

Slab

Each anchor consists of one nut, bolt, M10 dynabolt and steel angle.

Drill a 10mm hole into the wall sheet.

Drill a 10mm hole into the concrete.

* Denotes hot dip galvanised finish

Absco Gable Roof Shed Notes

General

- 1.G This instruction manual shall be read in conjunction with other consultants drawings, specifications and written instructions provided by Absco and/or their representatives.
- 2.G The drawings provided herein are for installation and structural engineering purposes only.
- If discrepancies are discovered within the documentation provided, these shall be brought to the attention of Absco and written approvals obtained prior to commencing the affected section of work.
- 3.G If in doubt ask.
- 4.G Until approvals from the local authorities are obtained, commencement of construction from these drawings shall not commence.
- 5.G Unless varied by the project specification, all materials and workmanship shall be undertaken in accordance with the relevant Australian standards and the by-laws and ordinances of the relevant building authorities.
- 6.G All dimensions indicated in these drawings shall be verified on site by the installation contractor. Scaling of drawings shall not be undertaken.
- 7.G Prior to commencing works on site, the contractor shall verify the position of all services in the area to ensure that the construction does not interfere with any of those services.
- 8.G During installation on site the shed structures shall be maintained in a stable condition with no part becoming overstressed or permanently deformed.
- 9.G In circumstances where the shed has been installed in a manner which is inconsistent with the installation manual, structural certification shall be void.
- 10.G The structural components detailed within this installation manual have been designed for the following loads in accordance with AS/NZS1170 based on a Class 10a, Type 2 structure:
 - Roof Live Load: 0.25 kPa uniformly distributed or 1.1 kN concentrated as per AS/NZS1170.1
 - Wind Load: Classification N2, Non-Cyclonic to AS4055 where $V_u = 40$ m/s, $V_s = 26$ m/s
 - Windward wall $C_{pe} = 0.7$
 - Leeward Wall $C_{p,e} = -0.3$ to -0.5 as applicable based on shed geometry
 - Side Wall $C_{p,e} = -0.5$ to -0.65 as applicable based on shed geometry
 - Roof $C_{p,e} = -0.5$ to -1.3 depending on wind direction

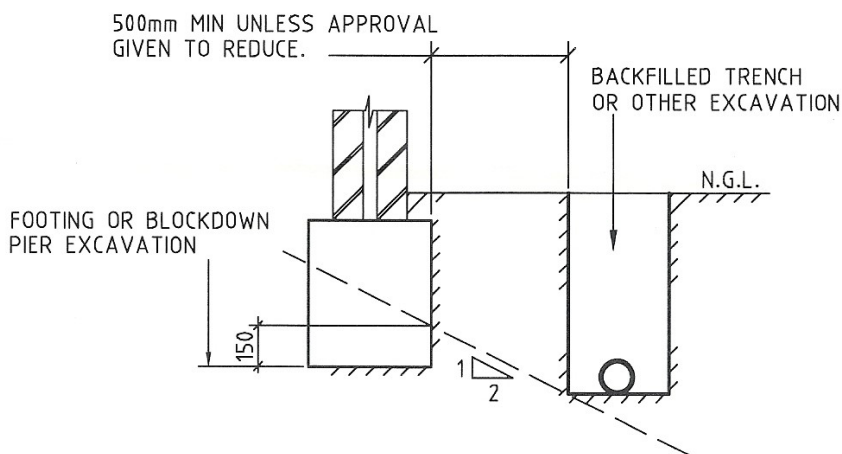
Absco Gable Roof Shed Notes

Steelwork

- 1.S All structural steelwork shall have a corrosion protection system applied consistent with AS/NZS 2312-2002.
- 2.S All structural steelwork detailed within this installation manual shall be minimum Grade 550 for roll formed sections (including roof and wall sheeting) and Grade 250 for angle sections.
- 3.S All roof, and wall sheeting shall be minimum base metal thickness of 0.3mm
- 4.S All snaptite channels and jambs shall be minimum base metal thickness of 0.42mm
- 5.S All top hats shall be minimum base metal thickness of 1.0mm
- 6.S All screw fasteners shall be Phil Pan Head Zinc Plated #8 x 3/4" (STP0820)
- 7.S All bolt fasteners for anchoring shall be M10 minimum grade 4.6/S
- 8.S Installation of screw fasteners shall generally be undertaken in accordance with the relevant provisions of AS1562.

Supporting Slab and Foundations

- 1.F The supporting slab foundation for the garden shed shall be of a minimum size indicated on the installation manual. The top surface of the formed slab shall be level and free of any irregularities which would inhibit the installation of the shed.
- 2.F The structural engineering design for the supporting slab foundation shall be undertaken by a suitably qualified structural engineer. The design shall consider all relevant provision of AS3600 and AS2870.
- 3.F Between adjacent footings or excavations, the contractor installing the slab foundation shall not exceed a rise of 1 in a run of 2 in line of slope.
- 4.F Unless approved in writing by the slab foundation engineer, the limits of excavations near existing footings shall be in accordance with that indicated below.



The contractor shall undertake investigatory localised excavations near existing footings to ascertain their depth prior to excavating adjacent to them. It is noted that excavating to a depth below that indicated above shall not be undertaken without the written approval from the engineer.

Absco Sheds Storage Guidelines

- Absco Sheds are designed to be weatherproof for normal weather conditions. In the event of extreme weather conditions such as heavy rain, combined with high wind gusts, the ridge capping, sheeting joints, screw fixings etc., may exhibit minor deformations which may allow some water entry. These areas should be checked regularly to ensure that maximum strength and protection is maintained.
- Other weather conditions such as extreme heat and extreme cold, moist or dry air can influence the effects of concrete floor moisture and/or condensation on the underside of the roof sheets.
- Absco Sheds and storage units are primarily used for storage of garden equipment such as lawnmowers, wheelbarrows, garden tools etc. Storage items that might be adversely affected by any of the above conditions may require additional protection such as being sealed or covered by plastic sheets and/or stacked above the concrete floor on timber slats.
- Waterproof sealants may be used to offer further protection where required around joins and screw fixings, as can rubber door seals and other products which are available from most hardware outlets.
- Placement of waterproof sealants (silicone) between the base of the shed and concrete slab is not recommended, as this process can have a reverse effect, preventing excess water from escaping, resulting with water accumulating and being trapped inside the shed.
- Absco accepts no responsibility for water entry, floor moisture, condensation or the condition of the Contents inside your Absco steel building arising from any of the pre-mentioned weather conditions.

Lifetime Warranty Statement



This warranty against defects is given by:

Absco Industries (ABN: 77 869 708 678)
Address: PO Box 119 Acacia Ridge QLD 4110
Ph: 1800 029 701
Fax: 07 3344 1191
Email: admin@absco.com.au

Date of issue: 19 December 2018

Details of Manufacturer's Warranty

This product comes with a Lifetime structural warranty from the date of purchase. This warranty also applies where there are missing or damaged parts identified in the parts list referred to in the instruction kit within the product packaging.

Please ensure that you keep this warranty form in a safe place along with your proof of purchase. You can register your warranty online <http://absco sheds.com.au/warranty-details/> or complete the form on the back of this document and mail it back to Absco, along with a copy of your proof of purchase.

The benefits of this warranty are in addition to your rights under the Australian Consumer Law (ACL) and in particular, the guarantees implied under the ACL and any other rights and remedies of the consumer under a similar law in relation to the goods and services to which this warranty relates.

Process of claiming warranty:

To make a claim under the warranty within the warranty period, you will need to contact the manufacturer directly by phone or email:

Contact Number: 1800 029 701
Contact Email: admin@absco.com.au

You will be required to produce proof of purchase (this is at discretion of the manufacturer) at the time of the claim.

The manufacturer bears the cost of replacing the products or spare parts or repairing the products and reasonable direct expenses of claiming under this warranty:

Where parts are replaced, the manufacturer will bear the cost of sending the spare part and will endeavour to deliver it to the customer's nearest reseller within 20 working days for the customer to pick up. At such time the customer may be required to return the alleged faulty parts.

Where assessment is required in case of replacing or repairing the product, the manufacturer will appoint an assessor within 10 working days to identify the alleged defect. The manufacturer will bear the repair costs by appointing a local tradesman. The manufacturer may choose to replace the product if the repair or the cost of repair is not feasible. The replacement product will be available for collection from the nearest reseller within 20 working days. The customer will bear the cost of assembly for the replacement product.

IMPORTANT

1. Manufacturer's Disclosure

This warranty against defects shall not apply in the following situations:

- A) Where the product is not assembled in accordance with the instructions provided in the product kit;
- B) Where the product is used to store corrosive materials such as fertilizer, chlorine etc;
- C) The warranty does NOT cover damage caused by storms, wind, rain, snow or poor foundations;
- D) This warranty does not apply to surface deterioration of panels caused by 'Swarf' (Tiny particles of steel debris left from cutting, grinding or drilling operations) that has not been removed after building construction.

2. Notes

This product is weatherproof to a certain level; however driving windy rain may cause the product to leak. Condensation may also occur in some weather conditions such as extreme heat or cold. The product should only be used for storing items such as gardening equipment and should not be used for articles that may be prone to damage if they come into contact with moisture.

3. Major Defects

If the manufacturer is satisfied that the defect is a major defect, the purchase price may be refunded in lieu of providing a replacement product or repairing the product.

This warranty is provided in addition to other rights and remedies you have under law: Our goods come with guarantees which cannot be excluded under the Australian Consumer Law. You are entitled to replacement or refund for a major failure and to compensation for other reasonably foreseeable loss or damage. You are also entitled to have the goods repaired or replaced if the goods fail to be of acceptable quality and the failure does not amount to a major failure.

If you do not wish to register your warranty online, complete the below form and email, fax or post this form back to Absco, along with a copy of your proof of purchase.

NAME: _____

STREET ADDRESS: _____

POSTAL / ZIP CODE: _____

STATE / CITY / PROVINCE / REGION: _____

COUNTRY: _____

SHED TYPE/CODE: _____

ORDER NO: _____

DATE OF PURCHASE: _____

EMAIL ADDRESS: _____

DATE REGISTERED: _____

