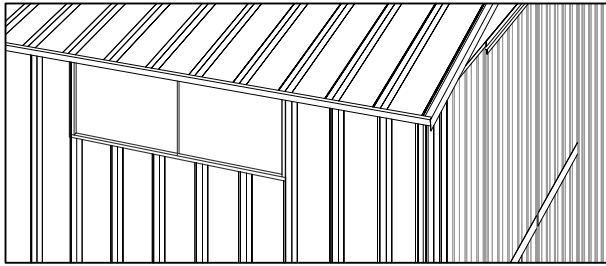


Absco - Sliding Perspex Window

FITTING INSTRUCTIONS

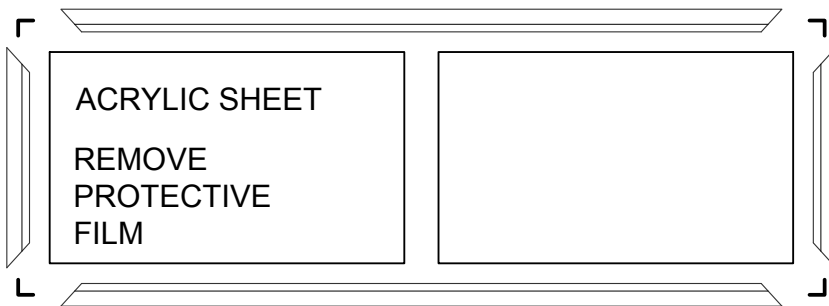
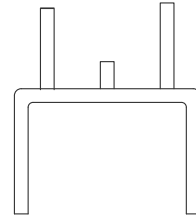
PARTS LIST



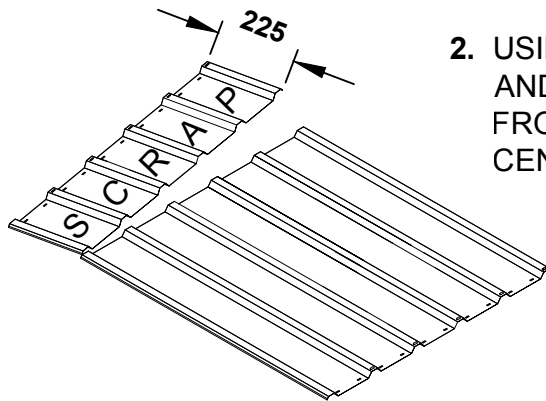
- 2) PLASTIC TRACKS 250 mm
- 2) PLASTIC TRACKS 750 mm
- 4) CORNER JOINER ANGLES
- 2) ACRYLIC SHEET
- 12) POP RIVETS

SIZE: 250mm x 750mm

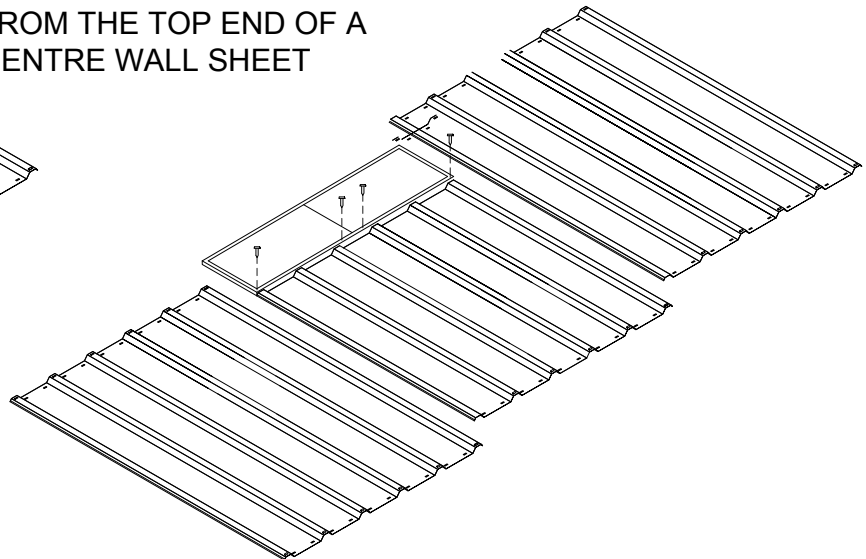
CROSS SECTION OF PLASTIC TRACK



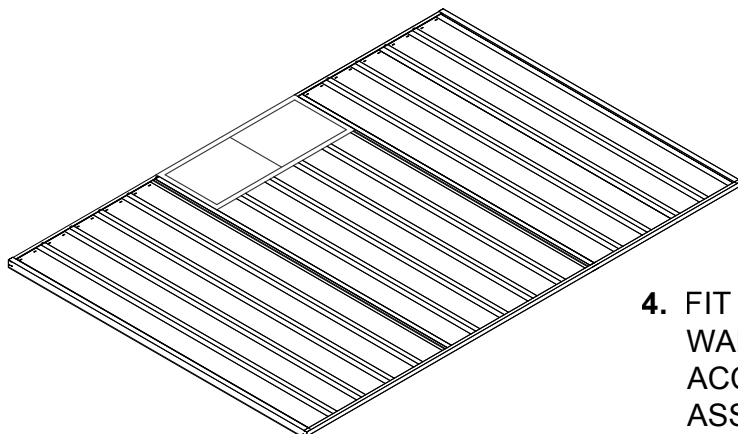
1. ASSEMBLE THE SLIDING WINDOW BY JOINING THE TRACKS AND CORNER ANGLES (AS SHOWN TO THE LEFT)



2. USING A PAIR OF TIN SNIPS, CUT AND DISCARD A 225mm SECTION FROM THE TOP END OF A CENTRE WALL SHEET



3. FIT THE WINDOW IN PLACE AS SHOWN AND FASTEN TO THE RIBS OF THE SHEET WITH RIVETS



4. FIT THE REMAINING SECTIONS OF THE WALL PANEL TOGETHER IN ACCORDANCE WITH YOUR SNAPTITE ASSEMBLY INSTRUCTIONS