

For construction in non-cyclonic areas
Wind rating: N3 as per AS4055-2021.
If you require a higher wind rating please contact
us: admin@absco.com.au or 1800 029 701

NOTE - Concrete slab must be a minimum of 100 mm thick, 20 MPa concrete reinforced with SL72 mesh and extend for the full area covered by the structure.

IMPORTANT INFO - READ BEFORE CONSTRUCTION BEGINS

General

Read through these instructions in detail to gain a thorough understanding of assembly methods and associated details.

Unpack and carefully identify and check off all the parts against the parts described and illustrated on "Components List" page.

If you are missing anything do not begin, contact Absco.

Site Prep

The structure shall be erected on top of suitable foundations and anchored down appropriately.

The site for the structure must be level. An uneven surface may result in misalignment of parts.

Region specific: If required, you have approval for the structure. If unsure, seek advice from relevant local authorities.

Safety

Some parts may have sharp edges. It is recommended to wear gloves when handling items and safety glasses when drilling holes. Sensible shoes are highly recommended.

Minimum two people are required to easily lift and align assemblies.

Consider the weather and do not build in windy conditions.

If the structure must be left for a period of time uncompleted it must be made safe to prevent damage.

TOOLS REQUIRED

Use as a guide, other tools/equipment may be suitable. Safely work within your ability.

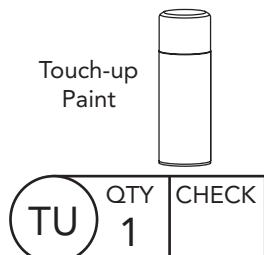
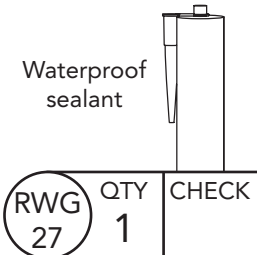
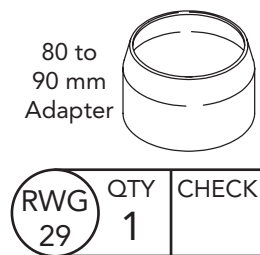
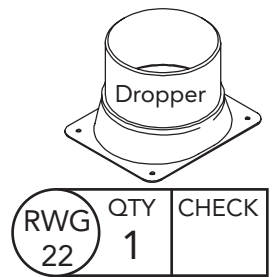
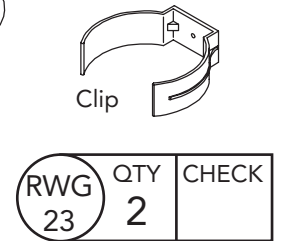
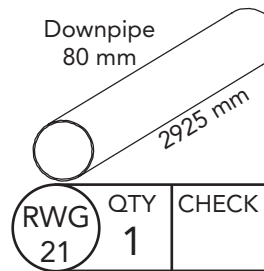
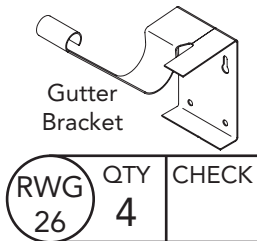
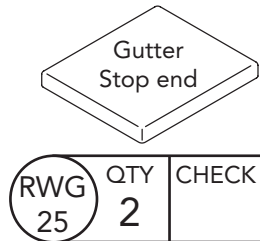
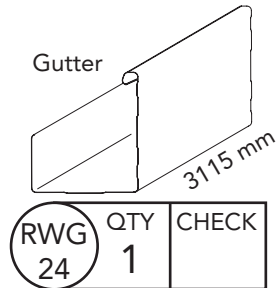
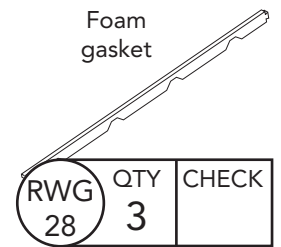
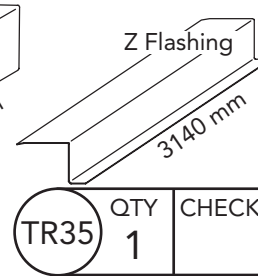
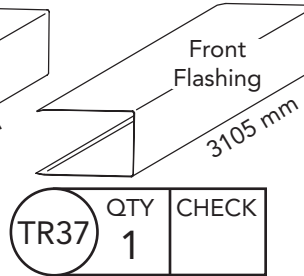
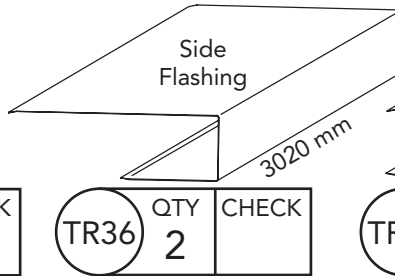
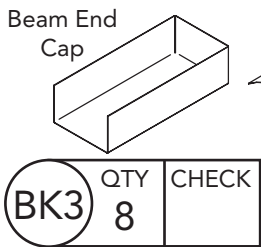
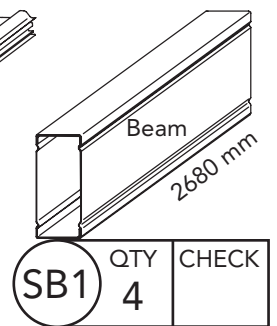
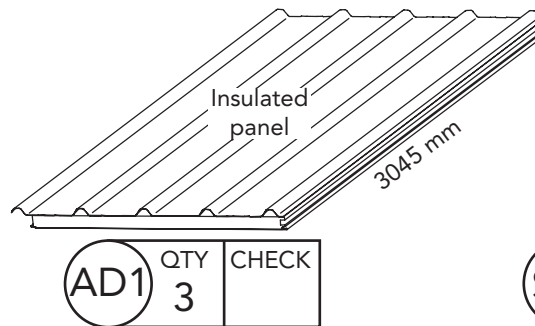
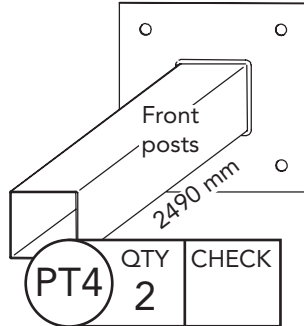
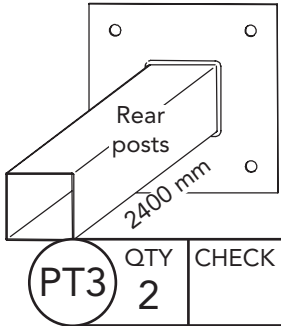
- Sheet metal locking pliers
- 4 mm drill bit
- 5/16" & 3/8" nut setter
- 12 mm masonry drill bit
- Chuck drill
- Impact drill driver
- Hammer drill
- 8m tape measure
- Caulking gun
- 16 mm socket
- 1.8m ladder (2 required)
- Visegrips or clamps
- Pop riveter
- Stanley knife
- Masking tape
- Spirit level
- Marker
- Ruler
- Square
- String line
- 70 mm hole saw
- Tin snips



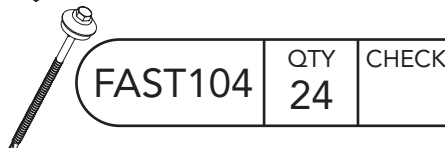
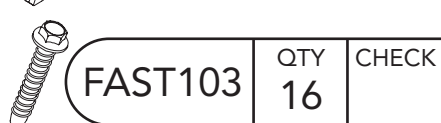
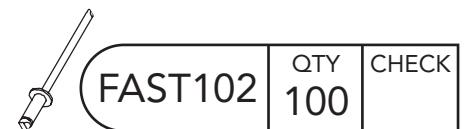
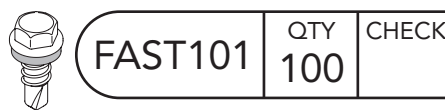
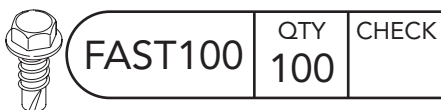
Please wear recommended PPE for any tool used during construction

COMPONENT LIST

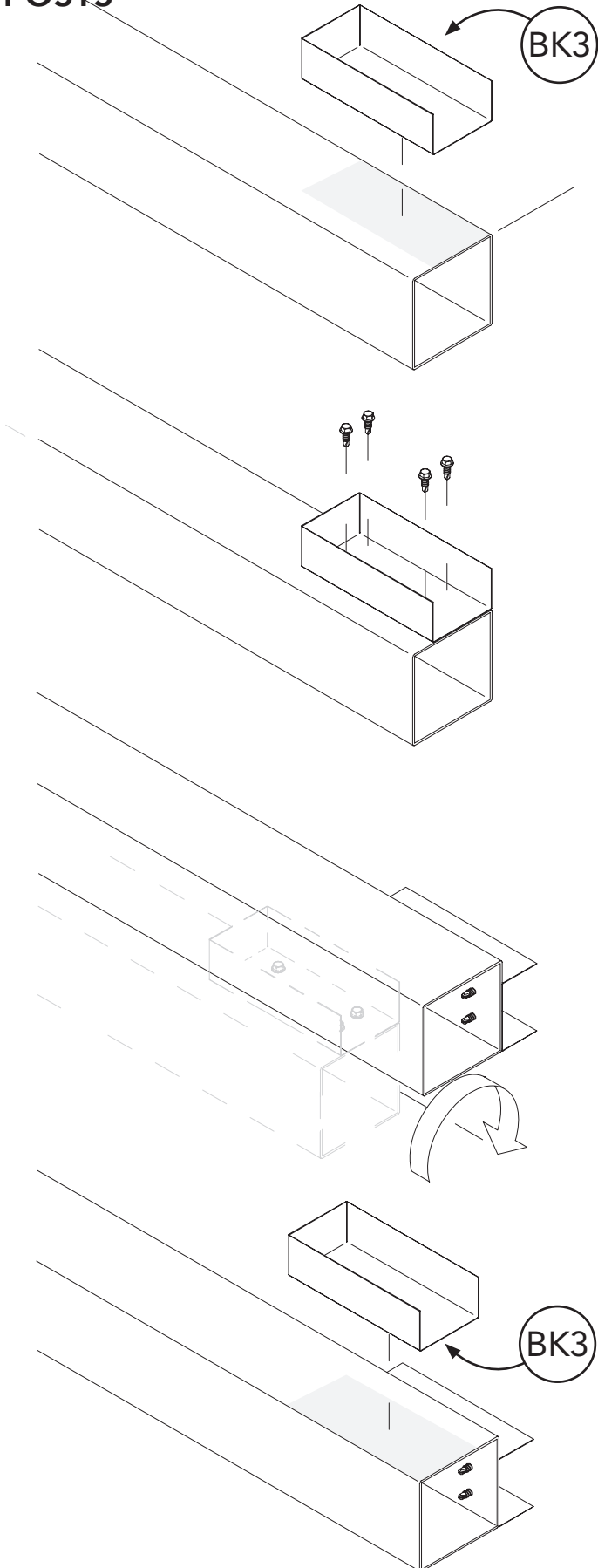
Check off all components, parts shown are not to scale.



FASTENER PACKS



POSTS



1. Take any post and a BK3 bracket.

Orientate the bracket as shown and align so it's flush with the end and side of the post.

2. Fasten using four FAST100 tek screws and 5/16" nut setter.

Make sure screws are inset 20 mm from the edges of bracket for beam clearance.

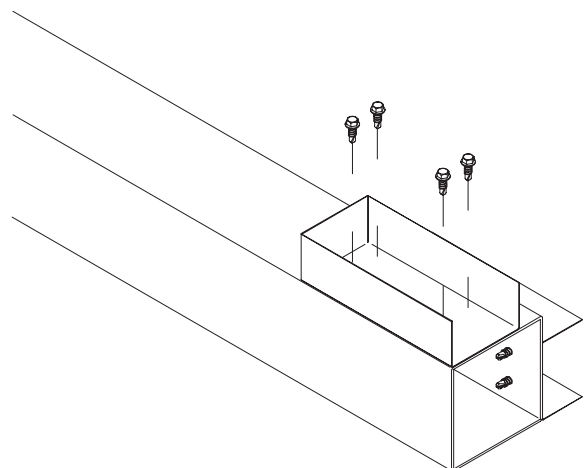
To keep the parts aligned while fastening use a clamp or vise grips.

3. Carefully roll the post to the side shown.

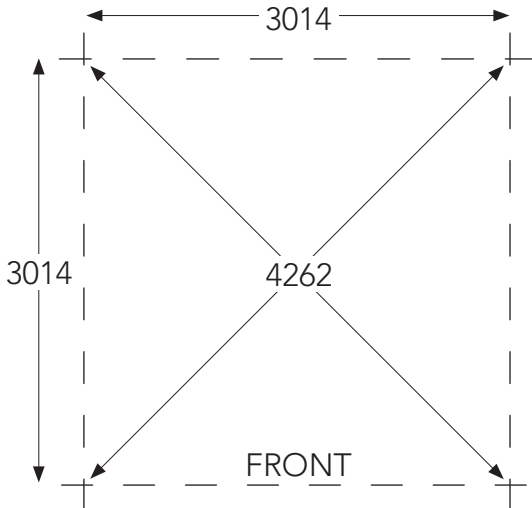
4. Take another BK3 bracket and align so it's flush with the end and side of the post as shown.

5. As before, fasten using four FAST100 tek screws.
Make sure they're inset 20 mm from the sides.

6. Repeat these steps for all posts.

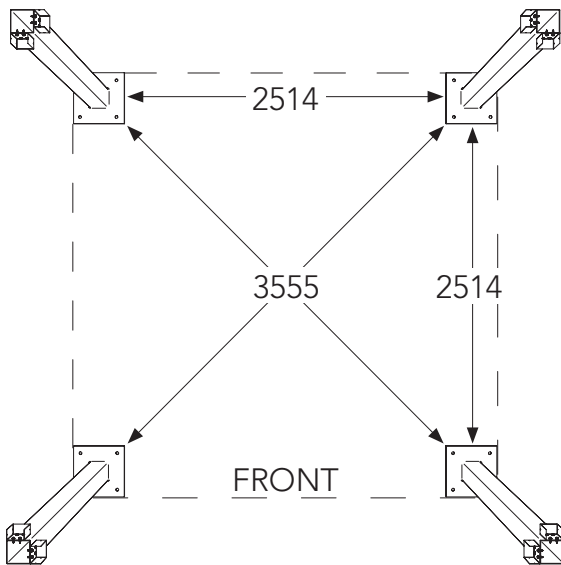


POST LOCATIONS



Use a chalk line, or equivalent, to mark nominal outside dimensions onto foundation.

The diagonal measurement will confirm squareness.

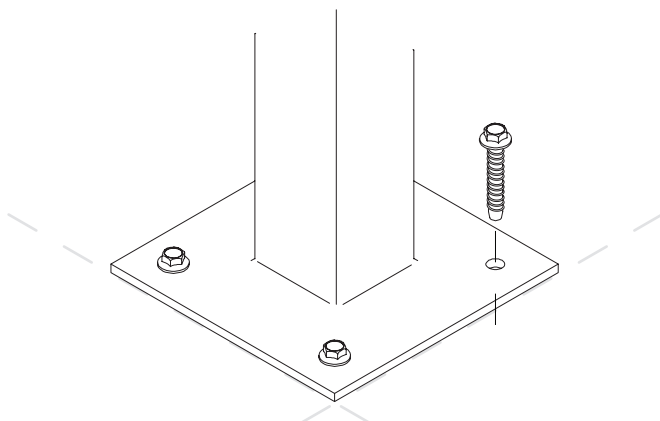


Position posts in the corners.

- Taller posts **PT4** to the front
- Shorter **PT3** posts to the rear.
- Make sure the faces with the brackets are all inward.

These internal dimensions can be used to confirm alignment.

ANCHORING



Drill the holes for the anchors using the post baseplate as a template.

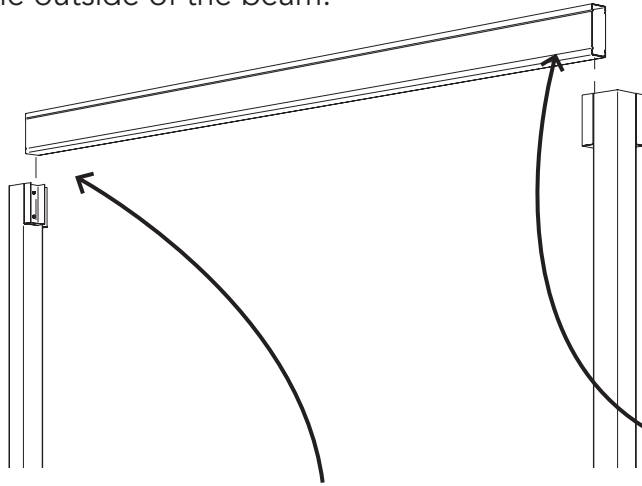
Use a hammer drill with a 12 mm diameter masonry drill bit to a depth of 100 mm

Fasten to foundations with four concrete screws **FAST103** per post using a 16 mm socket.

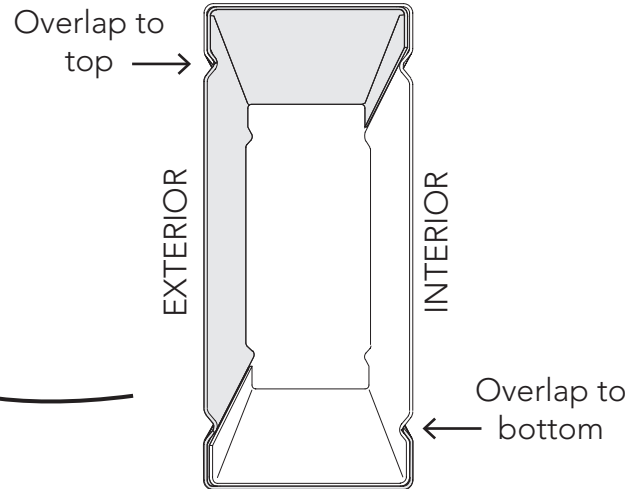
NOTE: Uneven foundations will cause posts to pull away from vertical.

FITTING THE SHURELOCK BEAMS

0. Remove the protective plastic coating from the outside of the beam.



1. Safely lift and place a SB1 beam inside the front post brackets BK3 as shown.

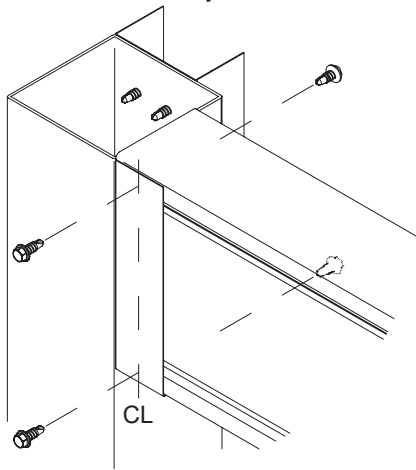


NOTE: Beam orientation is important to prevent water entry.

Orientate the beam so the exterior face has the overlap to the top.

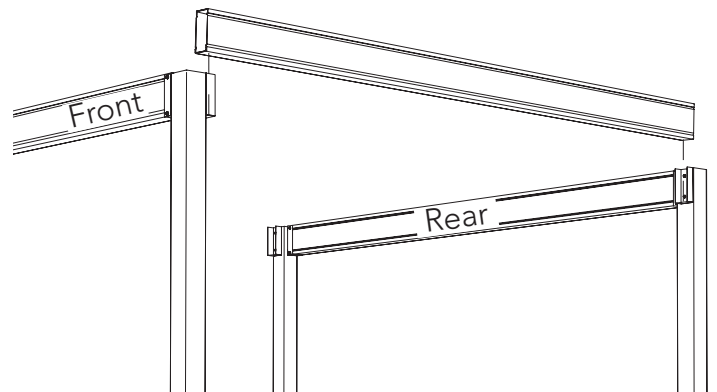
2. Make sure the ends of the beam are all the way into the brackets and fasten each end with four FAST100 tek screws.

These are visible screws so take time to position them on the centreline of the BK3 bracket and inset equally from the top and bottom.



3. Repeat these steps for the rear beam before proceeding to step 4.

On the exterior side of the rear beam only put in the lower teks for now.



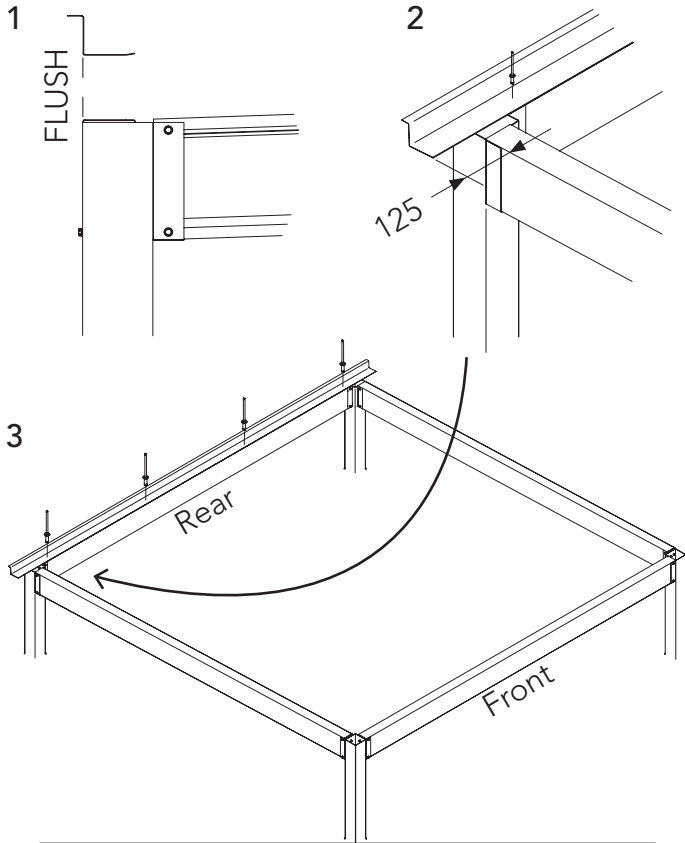
4. Safely lift and place the side beam SB1 inside the post brackets BK3 as shown.

5. Make sure the ends of the beam are as far as they can go into the brackets, there will be a small gap at the top for the front due to angle.

Fasten each end with four FAST100 tek screws as before.

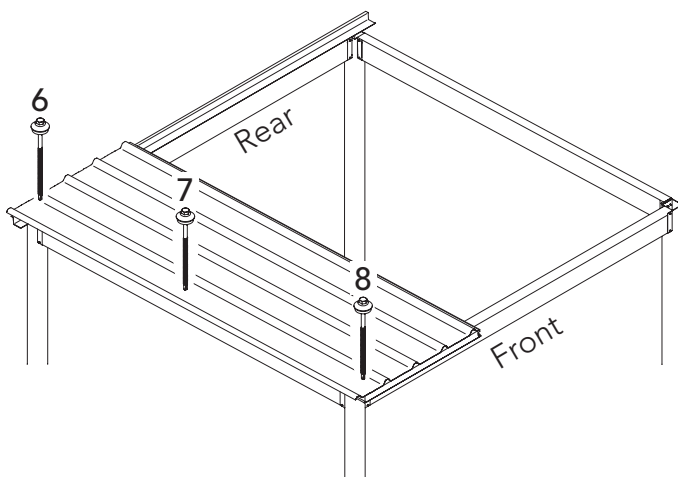
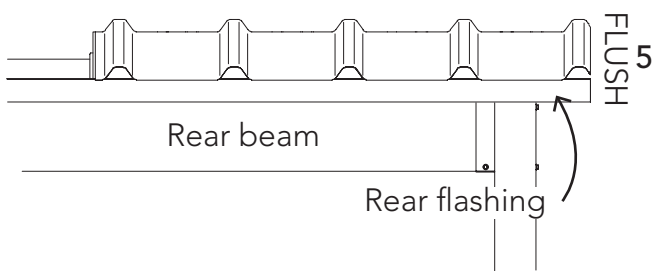
6. Repeat these steps for the other side beam

ATTACH REAR FLASHING



ROOF PANELS

REAR VIEW - Aligning the first panel



1. Place the rear flashing TR35 along the rear beam as pictured.

Align side shown to be flush with the exterior of the beam.

2. Overhang the left side of by 130 mm.

3. Fasten flashing to top of beam with 4 evenly spaced pop rivets **FAST102**.

A. Check the foam core is flush with the top and bottom skins. If it bulges out, safely trim flush with a Stanley knife.

B. Check if the steel bottom skin corner is bent down below the bottom face. Bend it up with pliers.

C. To increase weather protection turn up the pans 15 degrees with a turn up/down tool or equivalent as shown. (Non gutter end only)

Familiarize yourself with the weight and orientation of the **AD1** panel before lifting.

The panel end with 'top skin' overhang & sticker must go to the rear.

The 'bottom skin' has a protective plastic coating, this can be peeled off just before lifting.

Remember to lift and place **do not slide**, this can scratch the panel.

4. Safely position the first panel on top of the frame - all the way to the left.

The steel 'top skin' will sit over the rear flashing.

5. Adjust so it's butted up against the rear trim *and* the side of the 'top skin' is flush with the end of the flashing.

6. In the pan, fasten panel to rear beam with a tek 14 x 125 mm **FAST104**.

Don't over-tighten and crush the panel.

For further screw position detail see next page.

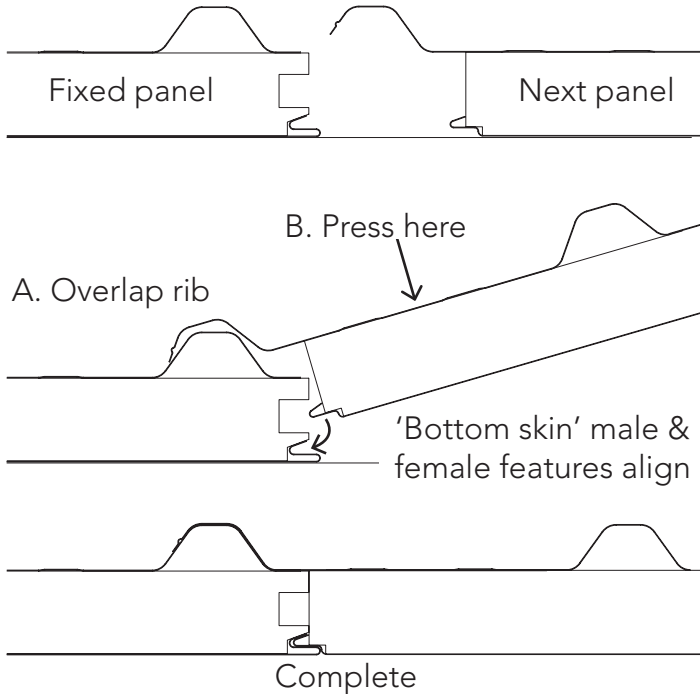
7. Check for consistent overhang along side beam - adjust if required.

Fasten with a tek 14 x 125 mm **FAST104** at the midpoint of side beam.

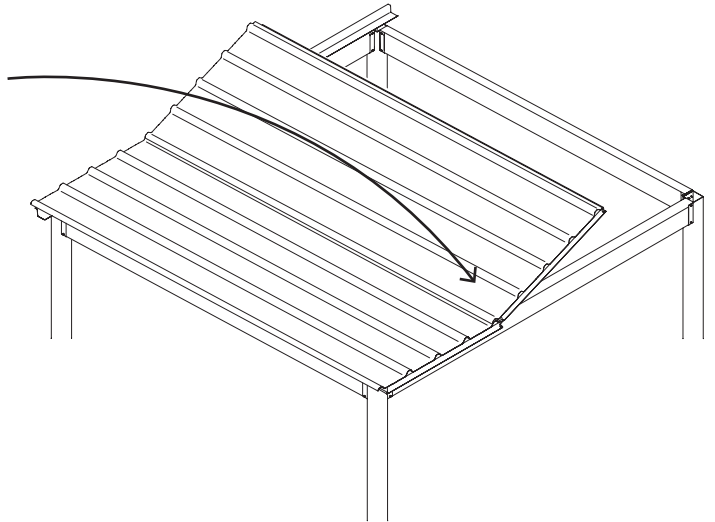
8. In the pan, fasten to front beam with another a tek 14 x 125 mm **FAST104**.

ROOF PANELS

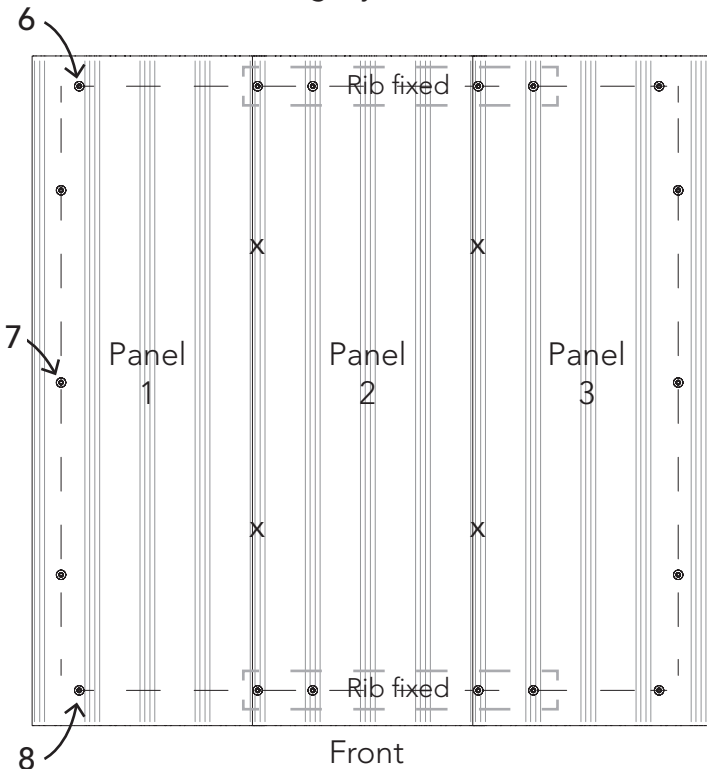
FRONT VIEW - Laying the roof panels



9. Safely place and mate the 2nd RP3 panel. Then the 3rd panel.



TOP VIEW - Fastening layout



7. Fasten roof panels to beams with a tek 14 x 125 mm **FAST104** at the remaining positions.

NOTE: pan fixed to centreline of beam unless noted otherwise.

NOTE: 6, 7 & 8 are the screws done earlier.

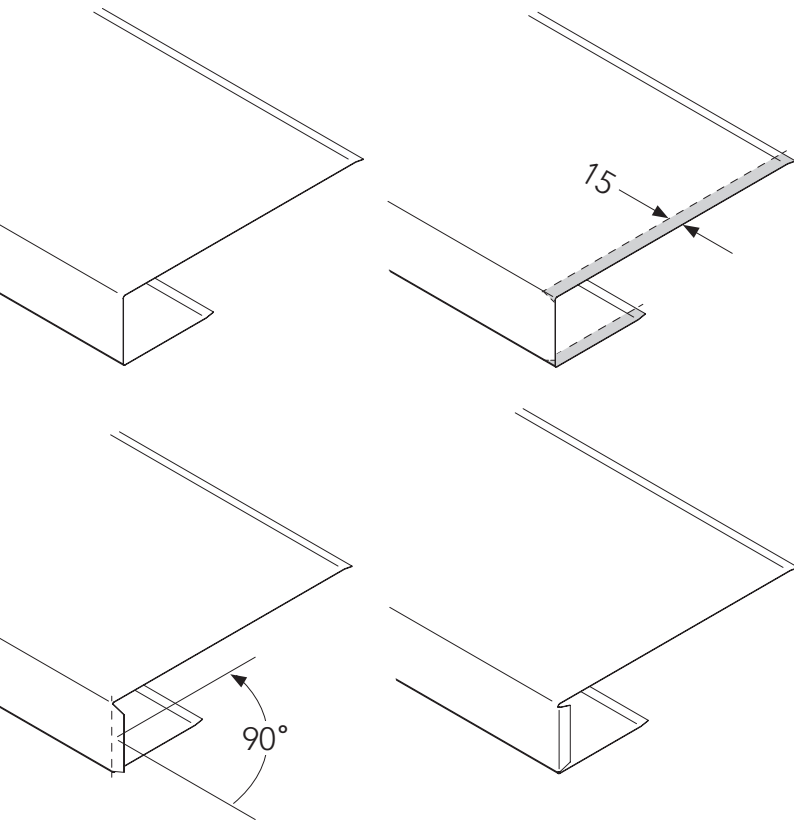
Don't over tighten and crush the panel.

8. Use shorter tek screws with neoprene washers **FAST101** at the locations marked with 'x' where the 'top skins' overlap.

These can all be done without climbing onto the structure.



SIDE FLASHING - FRONT DETAIL



NOTE:

Leave the protective plastic on TR36 flashing until fastening, It's good to mark on.

Trimming shown is for the Left flashing. Right is the same but 'mirrored'.

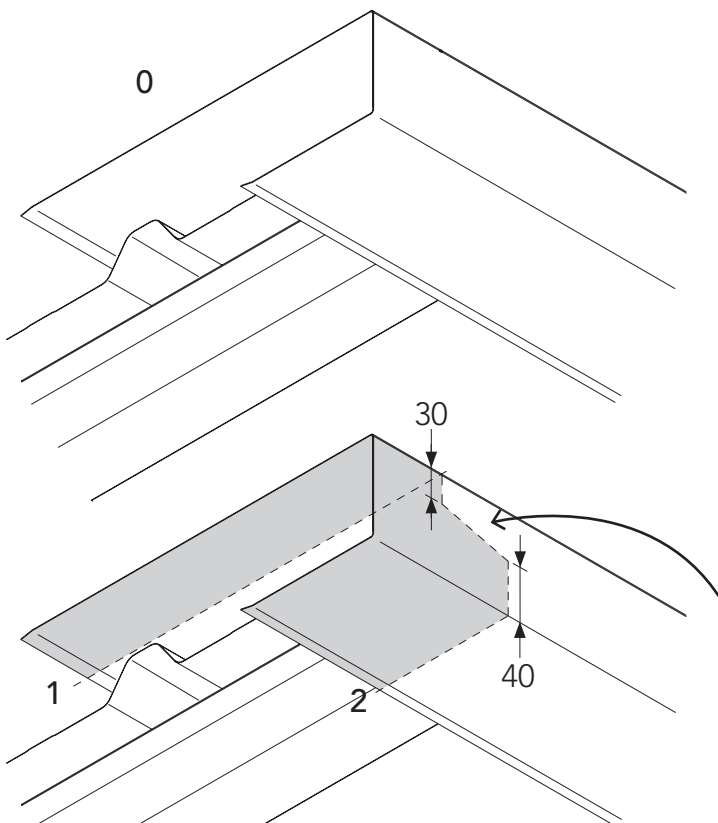
1. Mark out and cut away 15 mm from the top and bottom sides using tinsnips (offcuts shown in grey).

2. You'll be left with a tab as shown. Use "Sheet Metal Locking Pliers" to easily fold it 90 degrees.

3. Check fit by placing flashing along the side of roof panel.

- Bent tab hard up against front.
- Top face sits on two sheet ribs.
- Bottom face covers the rear flashing.

SIDE FLASHING - REAR DETAIL



REAR LEFT UNDERSIDE VIEW - Rear & side beams not shown.

0. TR36 flashing will overhang roof panel at the rear and we'll need to trim to make the gutter fit later.

NOTE: If the flashing is the same length as the roof panel you don't need to trim the top.

1. Mark off where 'top skin' end is against the top side of the flashing.

Then continue 30 mm down the side.

2. Mark off where the rear 'Z' flashing is against the bottom side of the flashing.

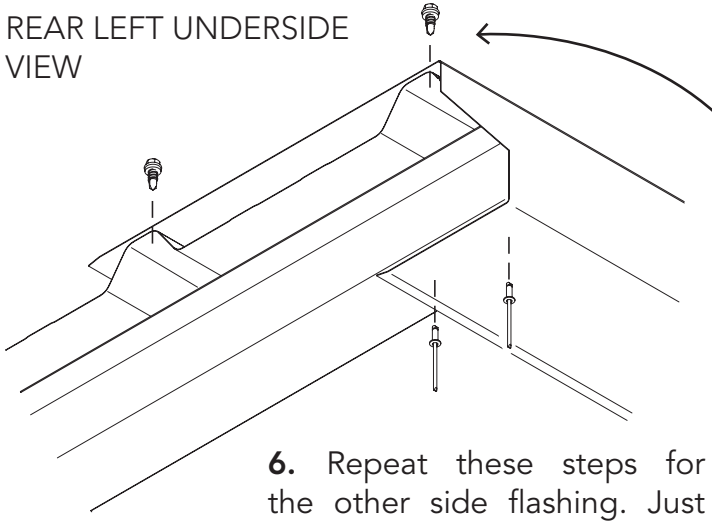
Then continue 40 mm up the side.

3. On the side mark a line to join these points as shown.

4. Take the flashing down off the roof and trim using tinsnips (offcuts shown in grey).

SIDE FLASHING - FASTENING

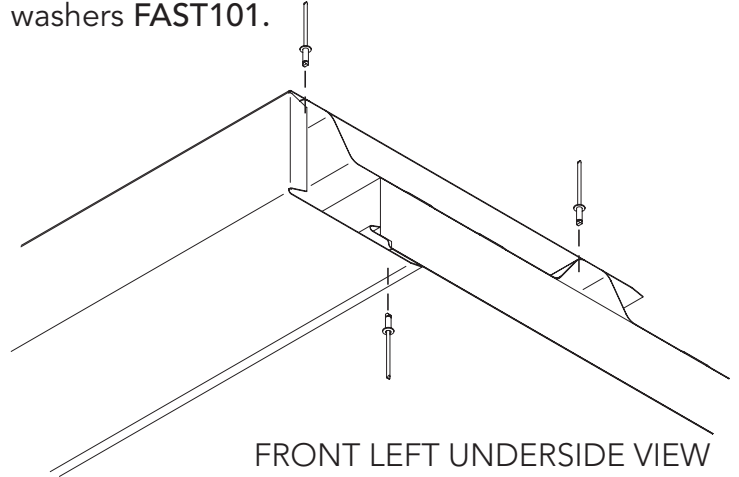
REAR LEFT UNDERSIDE
VIEW



6. Repeat these steps for the other side flashing. Just remember to make the mirrored version.

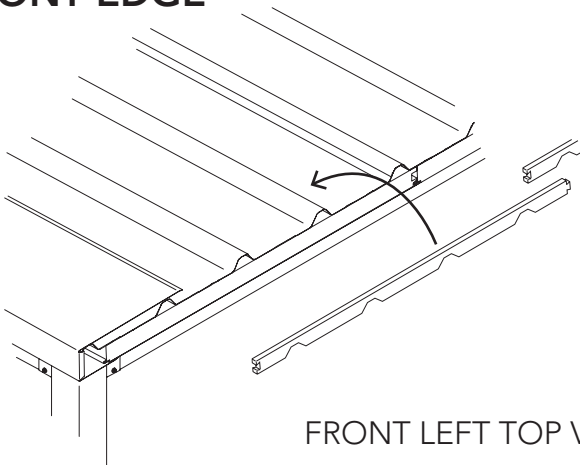
5. Refit the flashing, and fasten using pop rivets **FAST102** at the locations shown.

Only at the rear, on top, use teks with neoprene washers **FAST101**.



FRONT LEFT UNDERSIDE VIEW

FRONT EDGE



FRONT LEFT TOP VIEW

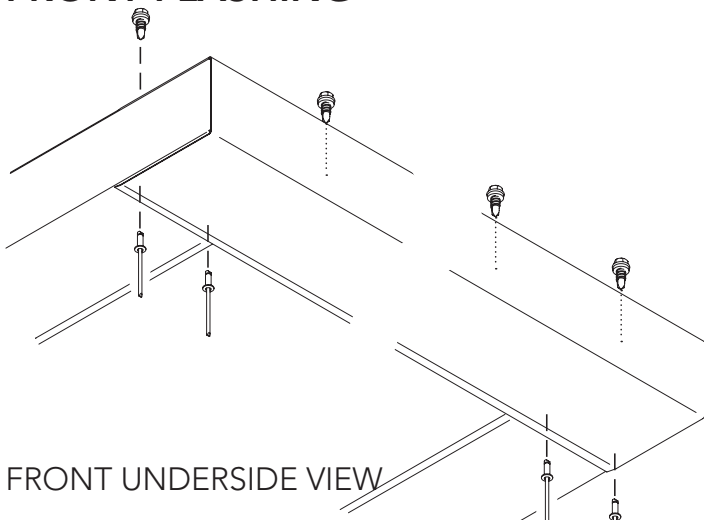
To increase weather protection at the front do the following.

A. Turn up pans of sheet 15 degrees using "Sheet Metal Locking Pliers"

B. Installing foam gaskets **RWG28** within 90 mm of the front edge.

Some trimming may be required to fit at ends. Apply silicone to the face that sits in the pan.

FRONT FLASHING



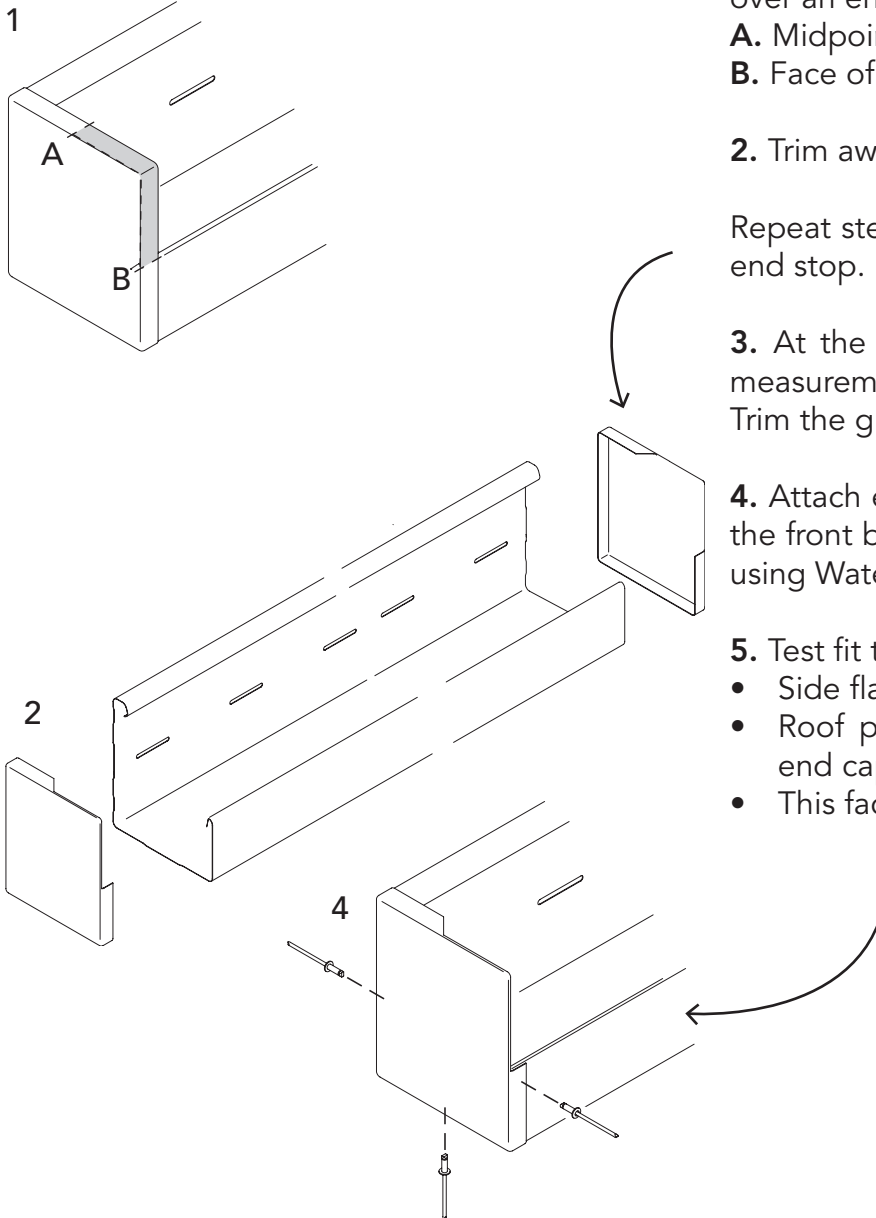
FRONT UNDERSIDE VIEW

1. At the front, take an outside measurement from the left to the right flashing. Trim the front flashing **TR37** to this length.

2. Cover the front edge of the roof and flashings. Carefully lift over gaskets.

3. Fasten with pop rivets **FAST102** along the underside as shown. Fasten with tek screws with neoprene washers **FAST101** along the top.

GUTTERING



1. Take a gutter end stop **RWG25** and test fit it over an end of the gutter. Mark off the following.
 - A. Midpoint along the top
 - B. Face of gutter shown

2. Trim away area shown in grey with tinsnips

Repeat steps at the other end to make the other end stop.

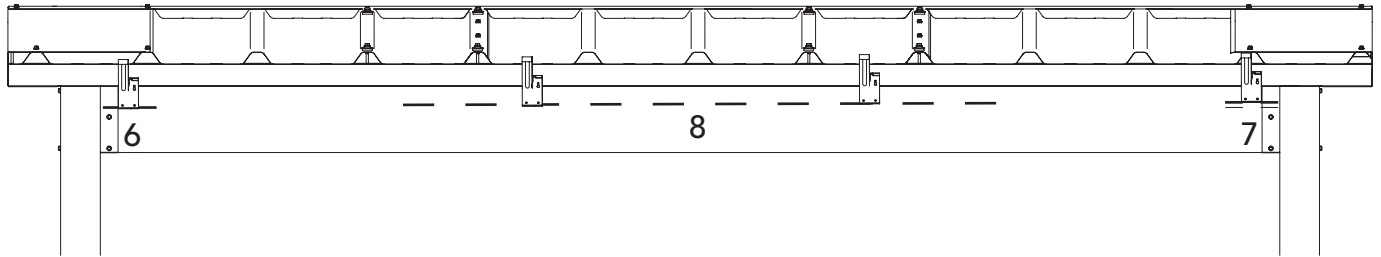
3. At the rear of the structure, take an outside measurement from the left to the right flashing. Trim the gutter to match this length.

4. Attach end caps with a rivet **FAST102** through the front back and bottom. Joints may be sealed using Waterproof sealant

5. Test fit the gutter assembly
 - Side flashings go inside end caps.
 - Roof panel 'top skin' sits under top face of end caps.
 - This face will be against the rear beam.

GUTTERING

REAR VIEW - NOTE: Fall to left for illustrative purposes only.



6. The gutter needs fall to drive water to a specific end. At the end you'd like the downpipe, mark the underside of the gutter onto the rear beam. This will be used as a reference when mounting the gutter brackets **RWG24**. Take the gutter down for now.

7. At the other end measure up another 10 mm from this reference line and make another mark onto the rear beam at the point shown.

8. Take a string line and make a line from the high to low point, this is for the two middle brackets.

9. Align the bottom of the gutter bracket with the marks and fasten to rear beam using rivets **FAST102**.

Make sure they're spaced evenly.

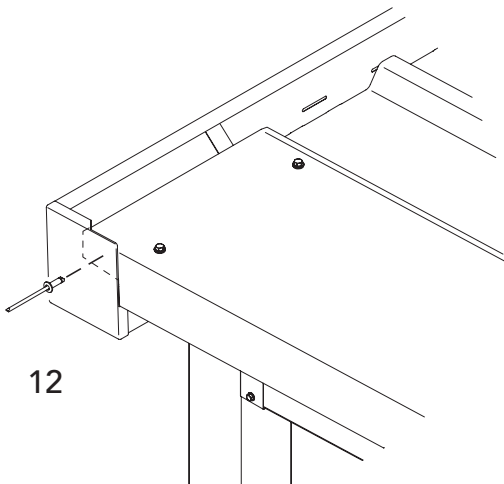
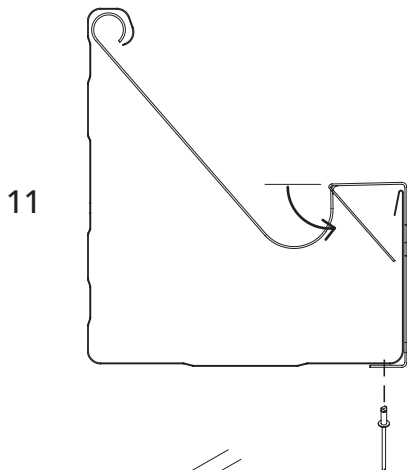
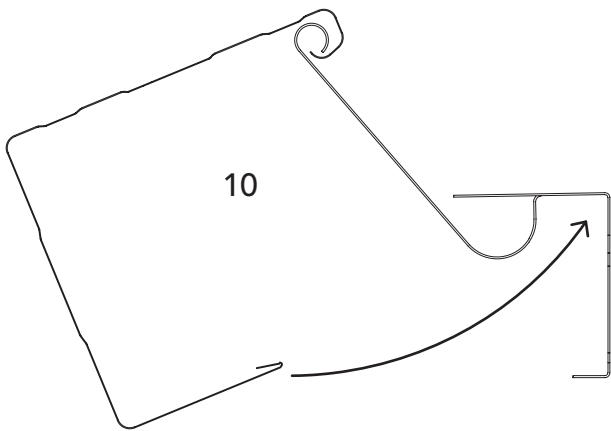
10. Lift the gutter assembly and place the rolled top edge over the gutter bracket in the orientation shown.

Roll the gutter around, make sure the side flashings go inside.

11. Lift so the bottom sits on the lower part of the bracket.

Fold the tabs down by hand then rivet from below as shown.

12. Rivet the gutter end stop to the side flashing.



DOWNPIPE

NOTE: The method shown is to mount a simple full height straight downpipe RWG21. An 80 to 90 mm adapter RWG29 is supplied if you wish to join into existing system instead.

1. Fit both downpipe clips RWG23 to the centreline of the post at the positions shown.

2. Fasten the clips to the posts using tek screws FAST100 (no neoprene washer). Be careful not to over-tighten and damage. Pre-drilling may be helpful.

3. Cut the downpipe to length.

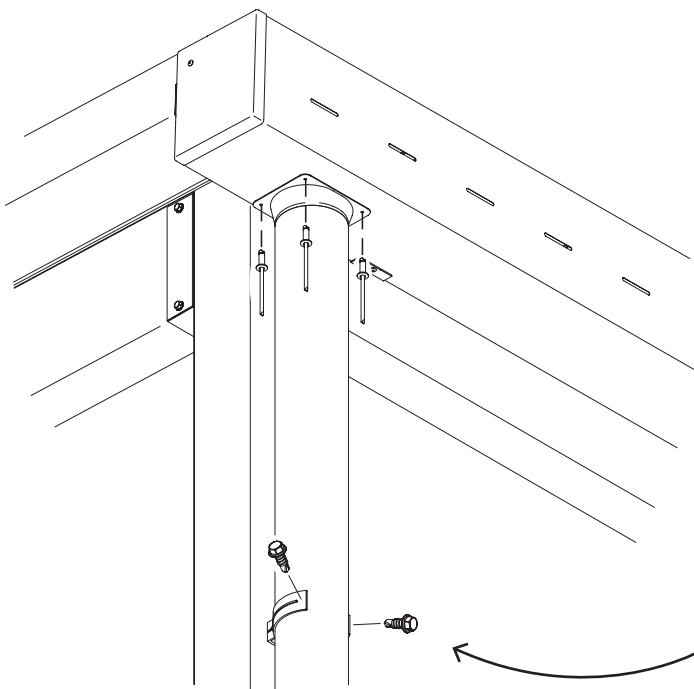
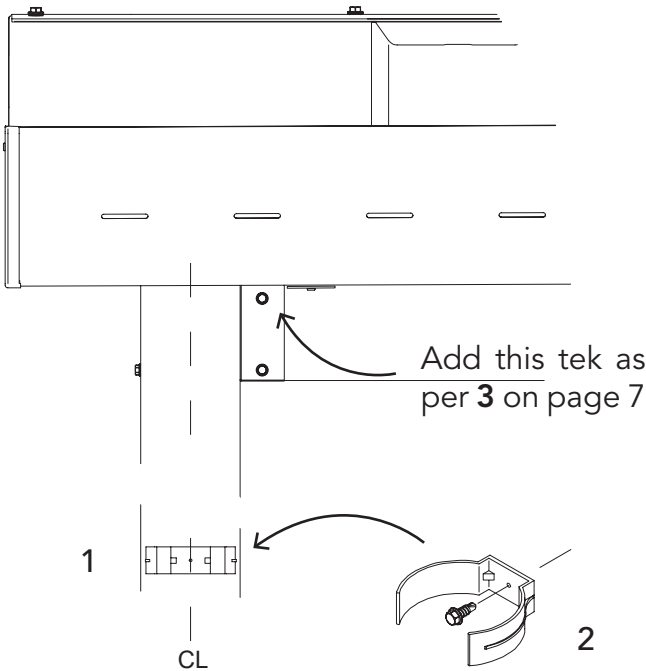
4. Place the dropper RWG22 into the top of the downpipe and fasten and seal, press into clips and slide up until it touches the underside of the gutter.

5. Straighten and then mark the four fastening holes and the centre.

6. Cut out the centre hole with a 70 mm hole saw.

7. Seal the dropper to the underside of the gutter and rivet at all corners.

8. Secure downpipe to clips using two tek screws FAST100 (no neoprene washer). Be careful not to over-tighten and damage.



Immediate maintenance required!

Check and clean swarf from surfaces. Swarf will rust and if not cleaned away can permanently discolour the structure.

Referenced Standards

Information in this manual has been designed in accordance with the following Australian and New Zealand Standards.

- National Construction Code of Australia 2022
- Specification S4C2—Design of Building in Cyclonic Areas NCC2022 VOL 1
- Part H1D7 Sheet Roofing of NCC 2022 Vol 2
- AS 1163:1991 Structural Steel Hollow Sections
- AS/NZS 1170.0:2002 Structural Design Actions Part 0— General Principles
- AS/NZS 1170.1:2002 Structural Design Actions Part 1— Permanent, Imposed & Other Actions
- AS/NZS 1170.2:2021 Structural Design Actions Part 2— Wind Actions
- AS/NZS 1170.3:2003 Design Actions Part 3— Snow and Ice Actions
- AS/NZS 1554.1:2004 Structural Steel Welding— Welding of Steel Structures
- AS1562.1: 2018 Design and installation of sheet roof and wall cladding Part 1: Metal
- AS/NZS 1664.1:1997 Aluminium structures— Limit state design
- AS 1684.2:2021 Residential Timber Framed Construction
- AS 3566.1:2002 Self Drilling Screws
- AS 3600:2018 Concrete Structures
- AS 4055:2021 Wind Loads for Housing
- AS 4100:2020 Steel Structures Code
- AS/NZS 4600:2018 Cold Formed Steel Structures

15 Year Warranty Statement



1. DEFINITIONS

In this document, capitalised terms have the following meaning:

- (a) "ABSCO" means John Scholtes Investments (No. 1) Pty Ltd trading as Absco Industries.
- (b) "Authorised Purpose" means for storage (other than storage of corrosive materials), and other activities typically expected of a non-habitable structure.
- (c) "Defect" means a defect in the design, workmanship, materials, or any other defect caused by the manufacturing process of the Product (including damaged or missing parts).
- (d) "Excluded Environment" means land located within 1km of:
 - (i) salt marine locations or other areas of marine influence;
 - (ii) severe industrial or other abnormally or highly corrosive environments;
 - (iii) areas not washed by rain;
 - (iv) a recognised flood, bushfire or earthquake zone; or
 - (v) areas with uncontrolled fill unless an engineered foundation is constructed.
- (e) "Parties" means ABSCO and You.
- (f) "Product" means any of the following unless stated otherwise in the product description and or the Product Guide for the Product:
 - (i) products in the "ABSCO Structures" range, including but not limited to insulated patio covers, insulated gazebos and insulated carports;
 - (ii) products in the "ABSCO Structures - Signature" range, including but not limited to:
 - (A) 3m x 3m and 6m x 3m insulated patio covers; and
 - (B) 3m x 3m and 6m x 3m insulated gazebos and carports;
 - (iii) products in the "ABSCO Structures – Designer" range;
 - (iv) all other products containing insulated panels.
 - (g) "Product Guide" means the guide for installation and maintenance of the Product produced by ABSCO.
 - (h) "Warranty Period" means the period of 15 years, commencing on the day after the date of purchase of the Product.
 - (i) "Warranty Statement" means this '15 Year Warranty Statement' document.
 - (j) "You" / "Your" means the customer who purchased or installed the Product, or the person who owns the land upon which the Product is installed but does not include a subsequent purchaser of the Product where the Product is moved to a different location to that originally installed.

2. ABSCO'S STRUCTURAL WARRANTY

2.1. ABSCO provides this warranty to You in relation to the Product. The warranty applies to all colours and finish variants of the Product manufactured by ABSCO and sold by authorised sellers of the Product in Australia or New Zealand.

2.2. Subject to the terms of this Warranty Statement:

- (a) ABSCO warrants that the Product will be free from Defects for the duration of the Warranty Period; and
- (b) where the Product contains a Defect, ABSCO will either repair or replace the Product, or provide You with monetary compensation for the Defect in accordance with clause 3.

3. WARRANTY CLAIM PROCEDURE

- 3.1. If, during the Warranty Period, You believe the Product has a Defect, You must comply with the procedure set out in this clause 3.
- 3.2. Within 30 days of becoming aware of the Defect in the Product, You must notify ABSCO in writing of the alleged Defect ("Defect Notice") by email to admin@absco.com.au.
- 3.3. The Defect Notice must include:
 - (a) Your name, address and contact details;
 - (b) proof of purchase of the Product, including the colour and finish of the Product;
 - (c) the date and location of the installation of the Product and details of the contractor or installer of the Product;
 - (d) details of the alleged Defect in the Product, including but not limited to:
 - (i) a clear description of the alleged Defect;
 - (ii) the date the alleged Defect was first identified; and
 - (iii) any photographs and/or video footage of the alleged Defect.
- 3.4. As soon as reasonably practicable after receipt of the Defect Notice, ABSCO will contact You to investigate the alleged Defect. You must make the Product available to ABSCO and/or its authorised representatives for inspection and testing if so required.
- 3.5. A travel fee may apply if ABSCO and/or its authorised representatives are required to inspect the Product outside a capital metropolitan city area.
- 3.6. If ABSCO's investigations reveal a genuine Defect in the Product, ABSCO may elect to either:
 - (a) repair the Product;
 - (b) replace all or part of the Product; or
 - (c) refund all or part of the purchase price paid by You as compensation for the Defect in the Product.
- 3.7. ABSCO's election in clause 3.6 is at ABSCO's sole discretion.
- 3.8. If ABSCO elects to repair the Product, ABSCO will arrange for a qualified tradesperson to attend to the rectification of the Defect as soon as reasonably practicable. The cost of the repair will be borne by ABSCO.
- 3.9. If ABSCO elects to replace the Product:
 - (a) ABSCO will arrange for the replacement Product to be available for collection by You from the nearest ABSCO authorised reseller as soon as reasonably practicable;
 - (b) You may be required to return the alleged Defective parts or components to ABSCO; and
 - (c) You will be liable for the cost of disassembly and removal of the Product and assembly and installation of the replacement Product.
- 3.10. If ABSCO elects to repair or replace the Product and the necessary parts or components are no longer manufactured or supplied by ABSCO, ABSCO may repair or replace the parts or components with parts or components of a similar quality, grade, composition and colour. You cannot object to such an alternative.
- 3.11. If ABSCO's investigations do not reveal a genuine Defect in the Product (including a defect which is not covered by this warranty), You agree to pay ABSCO's reasonable investigation costs.

4. WARRANTY LIMITATIONS / EXCLUSIONS

4.1. To the extent permitted by law, this warranty will not apply where:

- (a) the Product has been installed or used for a purpose that is not an Authorised Purpose;
- (b) the Product has not been installed, assembled, maintained and/or operated in complete compliance with ABSCO's Product Guide;
- (c) the Product has been used to store corrosive materials such as fertiliser or chlorine;
- (d) the Product was installed in excess of 12 months after the purchase of the Product;
- (e) the Product has not been installed in accordance with the relevant standards, codes and statutory regulations;
- (f) the Defect is determined to have been caused by storm, wind, rain, earthquake, fire, snow or poor foundations;
- (g) the Defect is, or is the result of, surface deterioration of panels caused by 'swarf' (tiny particles of steel debris left from cutting, grinding or drilling operations);
- (h) the Product has been installed in an Excluded Environment;
- (i) the Product has been subject to accident, negligence, alteration, abuse or misuse;
- (j) the Defect is determined to be the result of overloading; or
- (k) ABSCO determines that the Defect is the result of a failure of a third-party product.

4.2. You acknowledge that:

- (a) dimensions and colour of the Product are subject to normal manufacturing variations and tolerances, and that reasonable variances are not considered a Defect under this warranty; and
- (b) this warranty is limited to the repair or replacement of Defects in the Product and does not extend to any other product or any other consequential or indirect damage incurred as a result of the Defect.

4.3. For the purpose of this warranty, the following matters are excluded from the definition of Defect:

- (a) general wear and tear which is reasonably expected to occur over the life of the Product;
- (b) surface deterioration of panels caused by 'swarf' (tiny particles of steel debris left from cutting, grinding or drilling operations);
- (c) condensation caused by weather conditions such as extreme heat or cold;
- (d) defects in any fastening apparatus (screws, nuts, bolts, rivets, hasps or bolts);
- (e) leaks caused by driving rain;
- (f) improper installation, maintenance or handling of the Product;
- (g) movement, distortion, collapse or settling of the ground or the supporting structure on which the Product is installed; or
- (h) staining from foreign substances (including mould, mildew, dirt, grease, oil and any other substance).

4.4. To the extent permitted by law, ABSCO is not liable to compensate You for any:

- (a) increased costs or expenses;
- (b) loss of profit, revenue, business, contracts or anticipated savings;
- (c) loss or expense resulting from a claim by a third-party; or
- (d) special, indirect or consequential loss or damage of any nature whatsoever, arising from a Defect in the Product or ABSCO's repair or

replacement of the Product under this warranty.

4.5. To the extent permitted by law and notwithstanding any other provision contained in this Warranty Statement, where the manufacturer of a component incorporated into the Product by ABSCO:

- (a) provides a warranty on that component to ABSCO that is more extensive than the warranty provided by ABSCO under this Warranty Statement, ABSCO only extends the benefits of that warranty to You to the extent it is capable of doing so at law and provided that none of the limitations or exclusions in this clause 4 apply; and
- (b) provides a warranty on that component to ABSCO that is less extensive than the warranty provided by ABSCO in this Warranty Statement, ABSCO's warranty is limited to that lesser warranty.

5. CONSUMER LAW

Australian Consumer Law

5.1. Clauses 5.2 to 5.3 apply where the Product was purchased in Australia.

5.2. The Product comes with guarantees that cannot be excluded under the Australian Consumer Law. You may be entitled to a replacement or refund for a major failure of the Product and compensation for any other reasonably foreseeable loss or damage. You may also be entitled to have the Product repaired or replaced if the Product fails to be of acceptable quality and the failure does not amount to a major failure.

5.3. The benefits of this Warranty Statement are in addition to any rights and remedies imposed by Australian State and Federal legislation that cannot be excluded. Nothing in this Warranty Statement is to be interpreted as excluding, restricting or modifying any State or Federal legislation applicable to the supply of goods and services which cannot be excluded, restricted or modified.

New Zealand Consumer Law

5.4. Clauses 5.5 to 5.6 apply where the Product was purchased in New Zealand.

5.5. This warranty is subject to the laws of New Zealand, including but not limited to the New Zealand Sale of Goods Act, the Consumer Guarantees Act and the Fair Trading Act.

5.6. The benefits of this Warranty Statement are in addition to any rights and remedies imposed by New Zealand legislation that cannot be excluded. Nothing in this Warranty Statement is to be interpreted as excluding, restricting or modifying any New Zealand legislation applicable to the supply of goods and services which cannot be excluded, restricted or modified.

6. NO REPRESENTATIONS / ENTIRE AGREEMENT

6.1. You agree and acknowledge that this Warranty Statement contains the entire agreement between the Parties regarding the warranty provided by ABSCO to You in relation to the Product.

6.2. To the full extent permitted by law, this Warranty Statement supersedes all other warranties of any kind, including whether express or implied by representations, statement, correspondence or other conditions such as merchantability or fitness for purpose.

7. REGISTRATION OF WARRANTY

7.1. Please ensure that You keep this Warranty Statement in a safe place along with your proof of purchase of the Product.

7.2. To ensure ABSCO has a record of your warranty, You can register Your warranty online at <http://abscosheds.com.au/warranty-details/>.